

Appendix C: TH-15A Specifications

Acoustic Performance

Frequency Range (-10 dB):	40 Hz – 20 kHz
Frequency Response (-3 dB):	50 Hz – 18.5 kHz
Horizontal Coverage Angle:	90°
Vertical Coverage Angle:	60°
Maximum SPL Long-Term:	113 dB SPL @ 1m
Maximum SPL Peak:	116 dB SPL @ 1m

Input/Output

Input Type:	Female XLR Balanced/Unbalanced
Input Impedance:	20 k Ω balanced bridging; 10 k Ω unbalanced
Loop-through:	Male XLR Balanced/Unbalanced (parallel with input)
Level Control:	Rotating knob 0 dB at center
Sensitivity:	+4 dBu for full output (Level Control @ Center) -36 dBu for full output (Level Control @ Max)

Transducers

Low Frequency:	15 in/381 mm with steel frame, paper cone woofer
High Frequency:	Horn-loaded 1 in/25 mm exit compression driver

Power Amplifiers

Low Frequency Power Amplifier	
Rated Power:	150 watts, 8 ohm load 300 watts peak
THD:	<0.1%
Signal-to-Noise Ratio:	> -94 dB, 20 Hz to 20 kHz, unweighted, referenced to 138 watts into 8 ohms
Design:	BTL Class D
High Frequency Power Amplifier	
Rated Power:	50 watts, 4 ohm load 100 watts peak
THD:	<0.1 %
Signal-to-Noise Ratio:	> -97 dB, 20 Hz to 20 kHz, unweighted, referenced to 50 watts into 4 ohms
Design:	Class AB

Electronic Crossover

Crossover Type:	24 dB/octave
Crossover Frequency:	3 kHz

Equalization

Low Frequency EQ:	\pm 15 dB @ 80 Hz, shelving
Mid Frequency EQ:	\pm 15 dB, bandpass, sweepable from 100 Hz to 8 kHz
High Frequency EQ:	\pm 15 dB @ 12 kHz, shelving
Direct/EQ Switch:	Bypasses EQ section

Protection Features

Over-excursion Protection:	Second-order sub-sonic filter
Thermal Protection:	Independent amplifier shutdown, auto reset
Driver Protection:	Independent HF and LF compressors

AC Power Requirements

US:	120 VAC, 60 Hz
Europe:	240 VAC, 50 Hz
Korea:	220 VAC, 60 Hz
Japan:	100 VAC, 50/60 Hz
AC Connector:	3-pin IEC 250 VAC, 20 A male
Fuse:	115 VAC: T 6.3 AL/250 V 230 VAC: T 3.15 AL/250 V
Power Consumption:	320 watts with music, loud mix 20 watts quiescent (idle)

Construction Features

Basic Design:	Asymmetrical Trapezoidal
Material:	Polypropylene
Finish:	Textured
Handles:	One on each side, one on top
Grille:	Perforated metal with weather-resistant coating
Display LEDs	
Front:	Power ON
Rear:	Power ON, OL (overload)

Physical Dimensions and Weight

Dimensions	
Height:	27.1 in/689 mm
Width:	16.8 in/427 mm
Depth:	15.8 in/401 mm
Weight:	36 lb/16.3 kg

Mounting Methods:

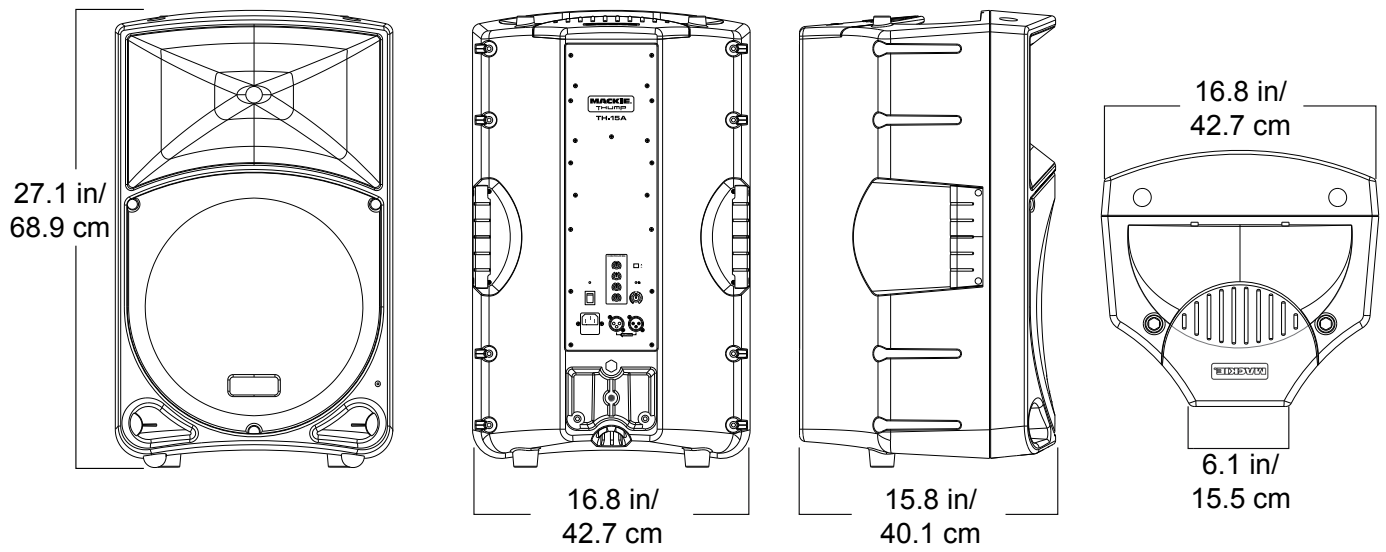
Pole-mountable via the built-in socket on the bottom of the cabinet. Be sure the pole is capable of supporting the weight of the TH-15A.

LOUD Technologies Inc. is always striving to improve our products by incorporating new and improved materials, components, and manufacturing methods. Therefore, we reserve the right to change these specifications at any time without notice.

“Mackie,” and the “Running Man” are registered trademarks of LOUD Technologies Inc. All other brand names mentioned are trademarks or registered trademarks of their respective holders, and are hereby acknowledged.

©2009 LOUD Technologies Inc. All Rights Reserved.

TH-15A Dimensions



Correct Disposal of this product: This symbol indicates that this product should not be disposed of with your household waste, according to the WEEE Directive (2002/96/EC) and your national law. This product should be handed over to an authorized collection site for recycling waste electrical and electronic equipment (WEEE). Improper handling of this type of waste could have a possible negative impact on the environment and human health due to potentially hazardous substances that are generally associated with WEEE. At the same time, your cooperation in the correct disposal of this product will contribute to the effective usage of natural resources. For more information about where you can drop off your waste equipment for recycling, please contact your local city office, waste authority, or your household waste disposal service.