



RCMR-15

TECHNICAL SPECIFICATIONS

Model:	RCMR-15
Power Rating:	15 Watts
Nominal Freq:	350-13,000Hz
Sound Level:	
RP/1M	116dB
1W/1M	105dB, (700-5800Hz)
Dispersion*:	-120°
	**Angle Shown for -6dB, 2kHz Octave Band
Impedance:	8 Ohms
Dimensions:	7½" Dia. x 7¼" D

FEATURES

- Durable, Weather-Resistant Loudspeaker for Vehicular Communications, Paging, and Intercom Systems
- 15 Watt Compression Driver for High Intelligibility Voice Transmission and Electronic Signaling
- Includes Both Stationary and Adjustable Bases

APPLICATIONS

Utilize the Atlas Sound RCMR-15 loudspeaker wherever dependable service and excellent audio reproduction is required. The stationary base can be mounted on utility, municipal, maintenance/service, construction school, and public transportation vehicles. The adjustable base is ideal for manufacturing, warehouse, drive-in, and shipboard facilities.

GENERAL DESCRIPTION

The Atlas Sound RCMR-15 weather resistant loudspeaker extends communication, intercom, radio, telephone, alarm, and signaling systems in vehicular and industrial applications. This product has a high efficiency compression driver which concentrates the reproduction of sound in the voice and signaling frequencies. When used in conjunction with radio communications equipment, the RCMR-15 provides optimized frequency response in the voice band for maximum clarity.

TWO

Specifications subject to change without notice



1601 JACK MCKAY BLVD. / ENNIS, TEXAS 75119 U.S.A.
TELEPHONE: (800) 876-3333 / FAX (800) 765-3435

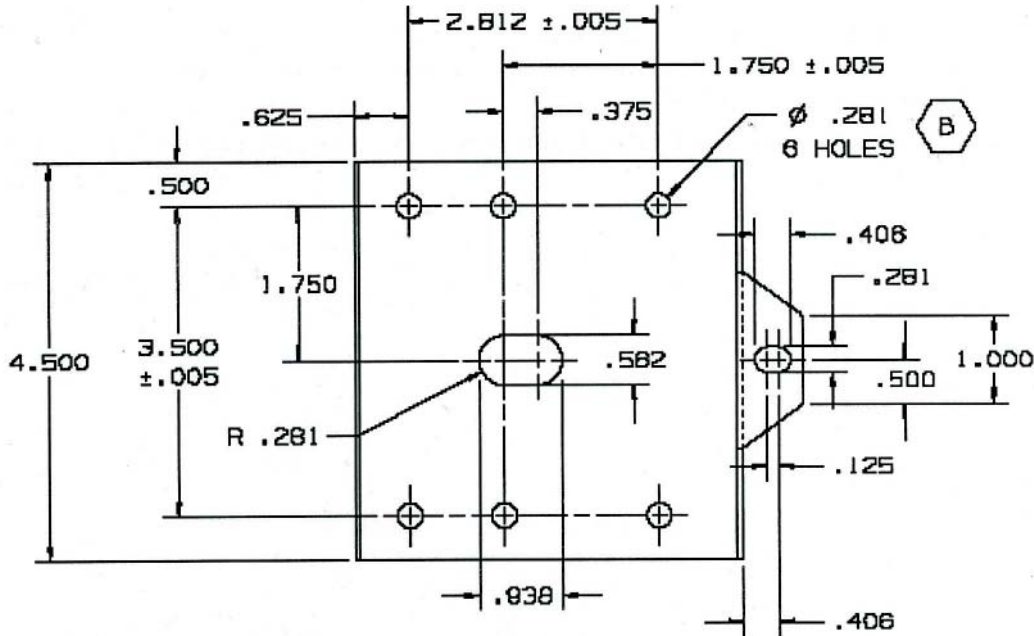
AtlasSound.com

143

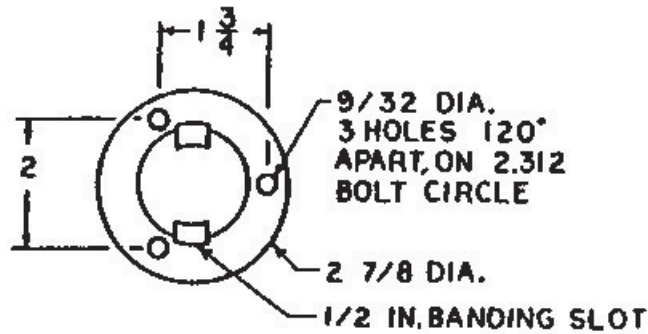
ARCHITECT AND ENGINEER SPECIFICATIONS

Loudspeaker shall be Atlas Sound RCMR-15 or approved equal, designed to withstand ambient element and vibrant effects of vehicular or mobile application. Unit shall be of double re-entrant type weatherproof construction with 15 Watt power rating. Nominal frequency response shall be 350-13,000Hz. Sound pressure level to be 106dB (1W/1M), 116dB (15W/1M) measured 700-5800Hz. Horn

dispersion shall be 120°. Voice coil shall be 8 Ohms, suitable for application with public address, two way radio/CB, electronic hailer, low power siren, or audio alarm amplifiers. A 10" connecting cable shall be provided. Unit to include a stationary mounting base and adjustable mounting bracket for pan and tilt positioning. Unit shall have a grey finish.



Stationary Mounting Bracket Dimensions



Swivel Mounting Bracket Dimensions

NOTE

To protect the RCMR-15 from excessive low frequency damage. Atlas Sound strongly suggest installing an electronic high pass filter (400Hz), either at the input to the amplifier or installing a 66UF non-polarized (50V) capacitor in line with the positive speaker terminal.

Specifications subject to change without notice



1601 JACK MCKAY BLVD. / ENNIS, TEXAS 75119 U.S.A.
TELEPHONE: (800) 876-3333 / FAX (800) 765-3435

AtlasSound.com