

# FireBall V DYNAMIC INSTRUMENT MICROPHONE

## OVERVIEW:

Designed, assembled and tested by Audix in the USA, the FireBall V is a professional dynamic instrument microphone intended for harmonica (both diatonic and chromatic) and beatbox. Clear, accurate, and capable of handling sound pressure levels in excess of 140 dB without distortion, the FireBall V is ideally suited for both live stage and recording applications, and has the added convenience of a volume control.

The FireBall V is characterized with a cardioid pickup pattern for isolation and feedback control, and is equipped with a VLM™ (Very Low Mass) diaphragm for natural sound reproduction with exceptional transient response.

With a wide frequency response of 50 Hz - 16 kHz, the FireBall V is lightweight, compact, and comfortable to hold. Roadworthy construction includes a precision cast zinc alloy body, steel mesh grill, black e-coat finish, laser etched model and serial number, Switchcraft® XLR connector and includes a tension-fit heavy duty nylon mic clip.

The FireBall V is a low impedance microphone; when using the FireBall V with a guitar amplifier, a high quality low-high impedance transformer (such as T50K) is required.

## SUPPLIED ACCESSORIES:

Heavy duty press fit mic clip (DCLIP)  
Carrying pouch (P1)

## OPTIONAL ACCESSORIES:

WS357 - External foam windscreen  
DVICE - Spring loaded rim mount clamp  
DCLAMP - Tension rod mic clamp  
CBL-20 - 20' XLR-XLR mic cable  
CBL-DR25 - 25' right angle XLR-XLR mic cable  
CBL-BP360 - 4' adapter cable for RAD360 Wireless Bodypack  
T50K - High quality low-high impedance transformer



## FEATURES:

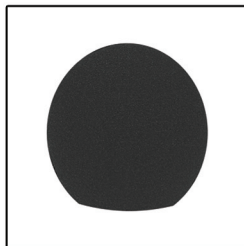
- Volume knob
- Fits comfortably in the palm of the hand
- Handles "cupping" without impacting sound quality
- Full size dynamic capsule
- Clear and accurate sound reproduction
- High SPL handling without distortion
- Exceptional gain before feedback
- Provides excellent isolation from other instruments
  - on stage
- 5 year warranty

## APPLICATIONS:

- Live stage, studio
- Harmonica
- Vocals
- Beatbox
- Percussion
- Saxophone, trumpet, trombone
- Flute
- Accordion



DCLAMP



WS357



CBL-20



T50K

# FIREBALL V

**SPECIFICATIONS:**

Transducer Type	Dynamic Moving Coil
Frequency Response	50 Hz - 16 kHz
Polar Pattern	Cardioid
Output Impedance	150 ohms
Sensitivity at 1k	1.5 mV / Pa
Capsule Technology	VLM Type B
Off Axis Rejection	> 23 dB
Maximum SPL	≥140 dB
Power Requirements	None
Connector	Switchcraft® male XLR connector
Polarity	Positive pressure on diaphragm produces positive voltage on pin 2 relative to pin 3 of output XLR connector
Housing / Finish	Zinc die cast / Black E-coat
Weight	140 g / 5 ounces
Length	99.5 mm / 3.9 inches

**ARCHITECTS AND ENGINEERS SPECIFICATIONS:**

The microphone shall be of the dynamic type operating on the moving coil principle and the polar pattern of the microphone shall be cardioid. The nominal output impedance shall be equal to 150 ohms at 1 kHz. The microphone shall have a sensitivity of 1.5 mV / Pa at 1 kHz and a sound pressure level ≥140 dB. The microphone body shall be of die cast zinc alloy and the grill of steel mesh. The overall dimensions shall be 21mm in diameter at the base, 53.5 mm at the widest point on the grill, and 99.5 mm in length. The microphone shall be the Audix FireBall V.

**OPERATION:**

The FireBall V is a low impedance microphone and should be plugged into a "mic level" input on your console, mixer, or recording device. Please note that your microphone does not require phantom power and will not be effected in any way by phantom power should it be running simultaneously when the microphone is in operation. Avoid plugging or unplugging the microphone from the PA system unless the channel is muted or the volume of the system turned down. Failure to do so may result in a loud "popping" noise which could seriously damage the speakers in the PA system.

**USER TIPS:**

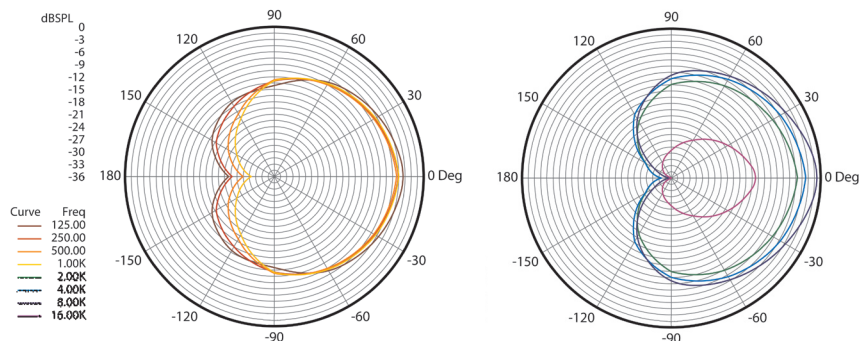
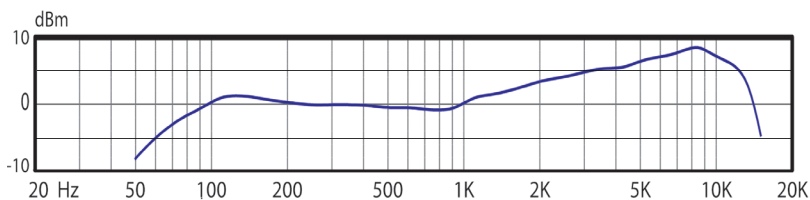
The FireBall V has a tight (cardioid) pick-up pattern in order to help eliminate sound from other instruments on stage from "bleeding" into the microphone.

The FireBall V is a low impedance microphone, however, it may be plugged directly into a guitar amp by using the Audix T50k impedance converter. This will allow for the proper gain structure and will insure the best possible sound quality.

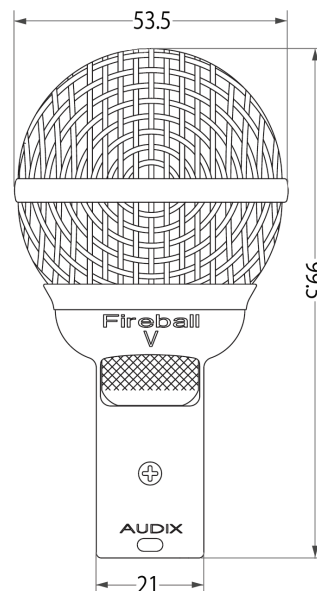
Allow a distance of 2-3 feet between microphones to avoid phase cancellation issues.

\*Further miking techniques may be found on our website at [www.audixusa.com](http://www.audixusa.com)

**FREQUENCY / POLARS:**



**DIMENSIONS (mm):**



\*\*\*All specifications subject to change without notice.

**SERVICE AND WARRANTY:**

This microphone is under warranty for a period of 5 years from any and all manufacturing defects. Should your microphone fail in any way, please contact the Audix Service department at 503-682-6933. A Return Authorization number is required before returning any products.

**CARE AND MAINTENANCE:**

The Fireball V is manufactured to exacting specs with roadworthy construction. However, the capsule is highly sensitive and should be handled with care. Avoid extreme temperatures and be sure to store your microphone in the pouch provided when not in use. Moisture of any kind can adversely affect the sound and performance of your microphone.

To register your  
microphone, please visit  
[www.audixusa.com](http://www.audixusa.com)



[www.audixusa.com](http://www.audixusa.com) Call: 503-682-6933 Fax: 503-682-7114  
Audix Corporation 9400 SW Barber Street, Wilsonville, OR 97070