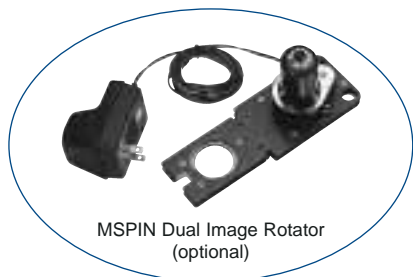


Fixture Type:

The Micro Ellipse is a lightweight framing spotlight with variable focus ability. Beam angles range approximately from 10° to 35° and field angles from 25° to 50°. Utilizing the long life, low wattage and cost efficient family of MR-16 dichroic reflector lamps these lighting units are ideal for architectural and display applications. Included with each unit are four steel framing shutters to provide beam shaping capability. Integral to the unit is a slot which will accept the pattern holder, the optional dual gobo rotator, or the optional drop-in iris. This slot does have an adjustable cover to prevent light leak.

Specifications subject to change without notice

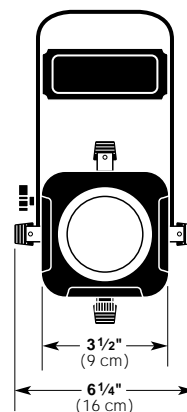
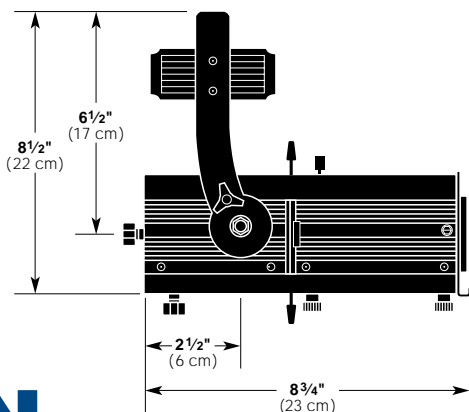


MSPIN Dual Image Rotator  
(optional)

20-75 WATT  
MICRO ELLIPSE  
MR-16

Features

- Die-cast aluminum components
- Attractive extruded aluminum housing
- Push-on type two-pin ceramic socket
- Dimmable 75W, 12V short circuit and thermal protected electronic transformer
- Tool free lamp centering
- Adaptable to most track systems
- Color fame & safety cable with spring clip included
- U.L., c.U.L. and CE listed for 75 watts
- Made in the USA



**Specifications**

**Housing:** Ribbed aluminum extrusion and die-cast aluminum construction.

**Materials:** Construction employs corrosion-resistant materials and SAE hardware. All handles are heat resistant phenolic.

**Yoke:** 1" x 1/8" aluminum yoke with clearance hole for 1/2 inch bolt.

**Lens:** Crown glass (white plate) lenses. Movable lenses mounted on lens carriers with teflon glide bearing.

**Socket:** GX5.3, with heat shield.

**Rating:** 120 volts A/C operation, .625 amps, 75 watts maximum (220-240 VAC, 50/60 Hz unit available).

**Transformer:** 75W, 12V dimmable electronic transformer. Short circuit and thermal protected. Electronic internal resettable protection. Patent pending auto heat regulation that also acts as overload protection. Thermal auto-reset 125°C switch.

**Cable:** 6' total length with molded male edison plug (unless track adapter specified).

**Shutters:** Galvanized steel, fully adjustable and removable with heat resistant handles.

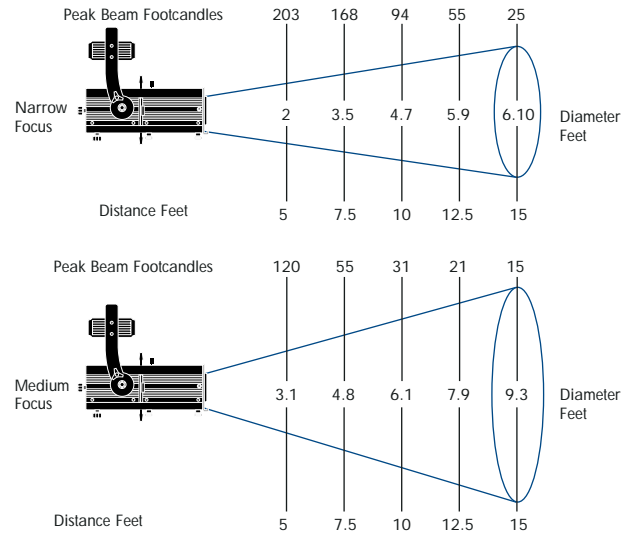
**Focusing Lamp:** Fully adjustable in 3 axis without tools, each axis independent of the others.

**Focusing Fixture:** Lens movements contained within body, adjustable with heat resistant knob.

**Accessories:** Accepts beam reducing circle template, pattern holder for glass/metal gobo and 3 3/8" dia. accessories. Pattern slot shall be provided with a cover. Provision shall be made in the pattern slot for gobo rotators.

**Finish:** Black epoxy sandtex, electrostatic application.

**Weight:** Approx; 4.5 lbs. (2 kg.)



PHOTOMETRIC DATA FOR EYC LAMP  
Actual Photometrics Differ Slightly Among Lamp Manufacturers

**LAMP DATA**

Lamp Type	Watts	Volts	Rated Life (Hours)	Correction Factor
EYJ	75	12	4000	1.00
EYC	75	12	4000	1.00
EXT	50	12	5000	.79
EXN	50	12	5000	.79
EZX	20	12	4000	.22
BAB	20	12	4000	.22

ACCESSORIES SUPPLIED WITH LUMINAIRE	
MCF	Color Frame 3 3/8" x 3 3/8"
MAC-SC	Safety Cable, 18"

ADDITIONAL ACCESSORIES	
510-M	Flat Steel Pipe Clamp
MBD	4-way Barn Doors
MEPH	Pattern Holder, 1 1/4" diameter opening
MECT	Beam Reducing Circle Template
MAPH-G	Pattern Holder, 1 1/4" Dia. Opening Accepts Glass and Metal Patterns
MSPIN-110	MasterSpin Variable Speed Bi-Directional Dual Gobo-Rotator, 120 VAC
MSPIN-220	MasterSpin Variable Speed Bi-Directional Dual Gobo-Rotator, 220 VAC
MADii	Drop-in Iris
54-SVT183-24CC	Coiled Cord w/Edison Connector, Factory Installed
TLA-J	Juno Track Adapter Installed
TLA-H	Halo Track Adapter installed
TLA-L	Lightolier Track Adapter installed
TLA-E166	Nordic Eco 1 Circuit, Factory Installed
TLA-TEK67	Nordic Spec Grade 2 Circuit, Factory Installed
TLA-XTSA66	Nordic Spec Grade 3 Circuit, Factory Installed