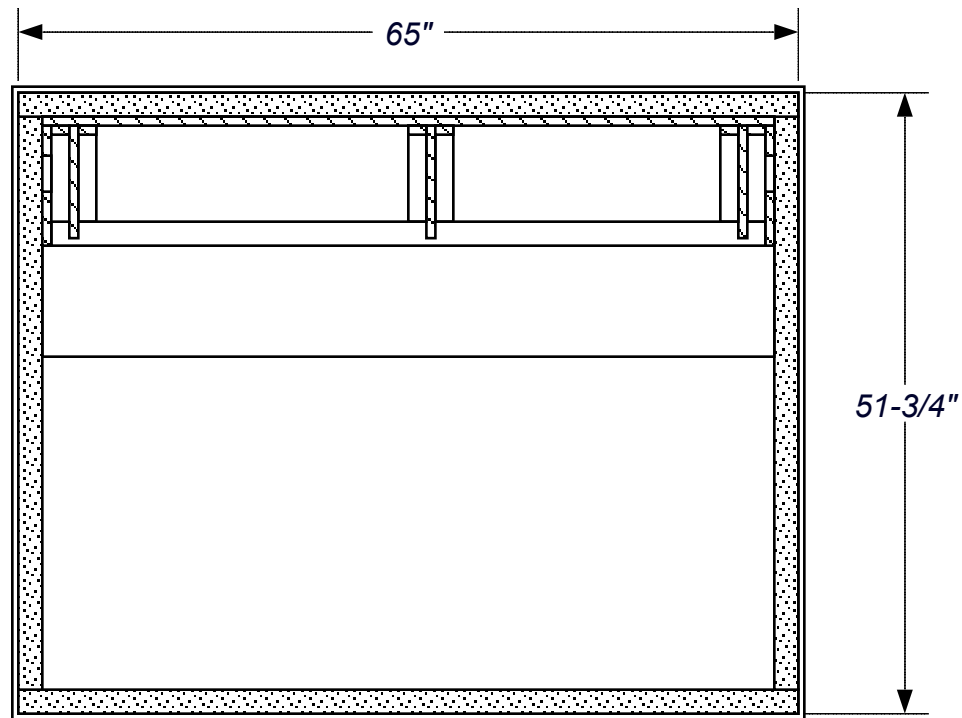
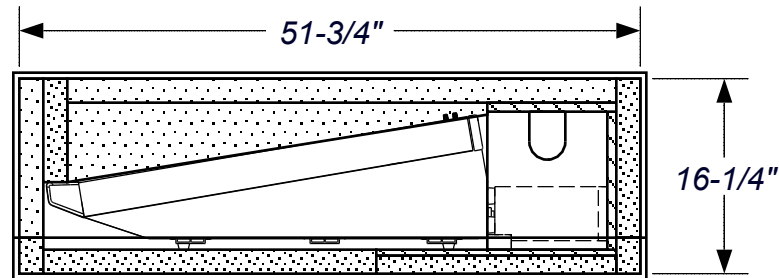


TOP VIEW TRAY



SIDE VIEW



2720 Intertech Dr.  
 Youngstown, OH 44509  
 Toll Free 1.800.874.8326  
 Fax 330.270.2424

www.lmcases.com

**YOUR SIGNATURE INDICATES APPROVAL OF ALL DIMENSIONS AS SHOWN. WE CANNOT PROCEED WITH CONSTRUCTION UNTIL APPROVAL IS RECEIVED. DUE TO THE CUSTOM NATURE OF OUR PRODUCTS, ALL SALES ARE FINAL.**

TITLE: Yamaha PM 5D-RH w/10" Doghouse (1/2" ATA)

DRAWN BY: PAUL KILLIAN

SIGNATURE:

DATE:

SCALE: 1-1/2" = 1'

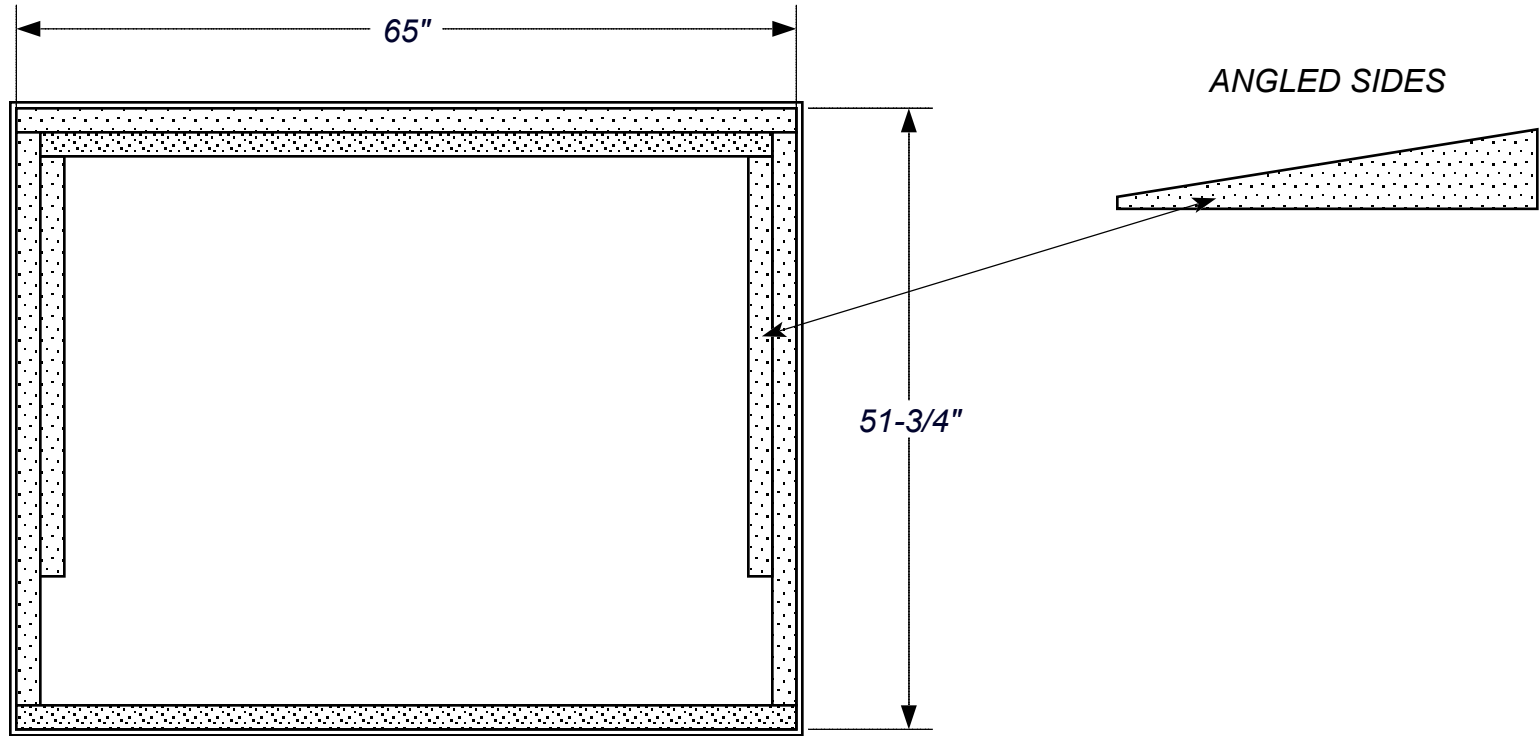
PAGE 1

DATE: 8/31/09

QUOTE # 30005

CARD # 14706

TOP VIEW LID



2720 Intertech Dr.  
 Youngstown, OH 44509  
 Toll Free 1.800.874.8326  
 Fax 330.270.2424

www.lmcases.com

**YOUR SIGNATURE INDICATES APPROVAL OF ALL DIMENSIONS AS SHOWN. WE CANNOT PROCEED WITH CONSTRUCTION UNTIL APPROVAL IS RECEIVED. DUE TO THE CUSTOM NATURE OF OUR PRODUCTS, ALL SALES ARE FINAL.**

TITLE: Yamaha PM 5D-RH w/10" Doghouse (1/2" ATA)

DRAWN BY: PAUL KILLIAN

SIGNATURE:

DATE:

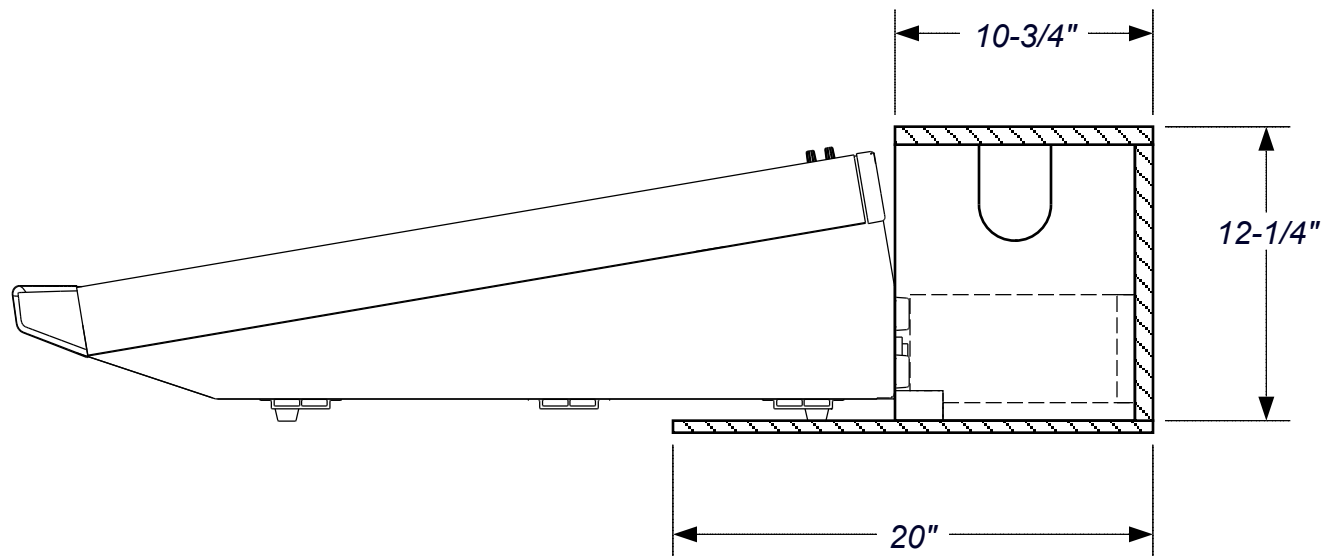
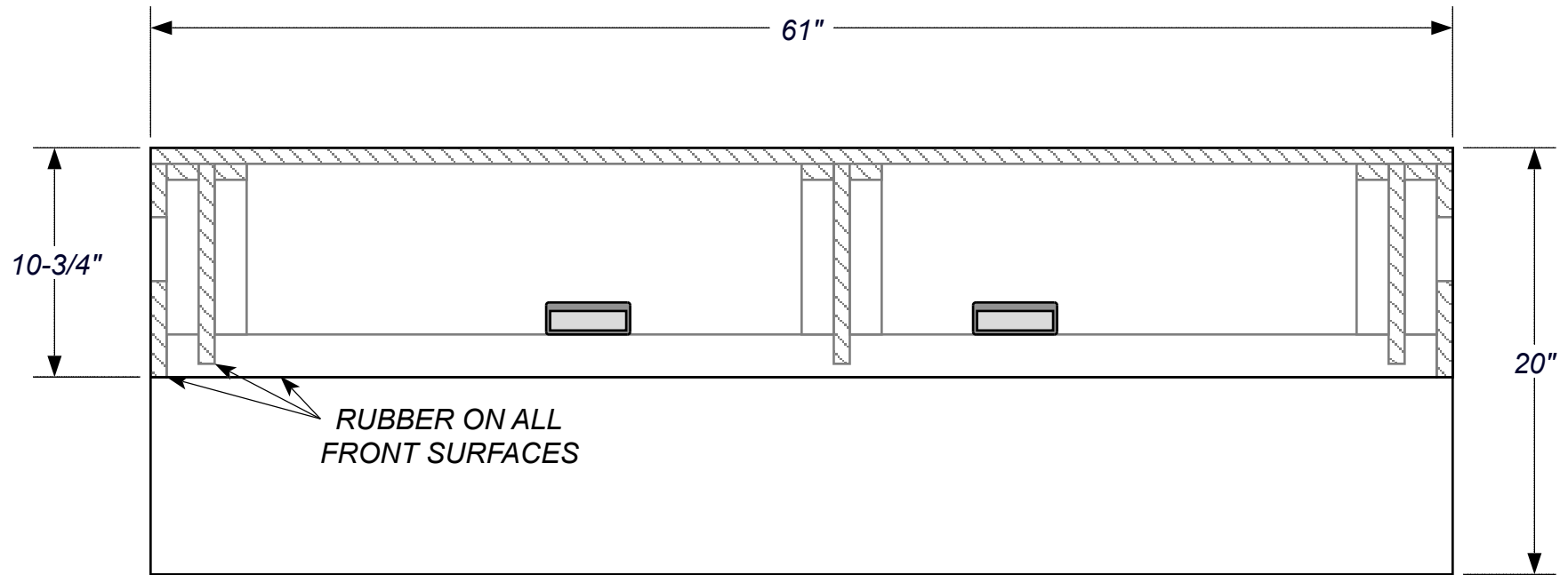
SCALE: 1-1/2" = 1'

PAGE 2

DATE: 8/31/09

QUOTE # 30005

CARD # 14706



2720 Intertech Dr.  
 Youngstown, OH 44509  
 Toll Free 1.800.874.8326  
 Fax 330.270.2424

www.lmcases.com

**YOUR SIGNATURE INDICATES APPROVAL OF ALL DIMENSIONS AS SHOWN. WE CANNOT PROCEED WITH CONSTRUCTION UNTIL APPROVAL IS RECEIVED. DUE TO THE CUSTOM NATURE OF OUR PRODUCTS, ALL SALES ARE FINAL.**

TITLE: Yamaha PM 5D-RH w/10" Doghouse (1/2" ATA)

DRAWN BY: PAUL KILLIAN

SIGNATURE:

DATE:

SCALE: 1-1/2" = 1'

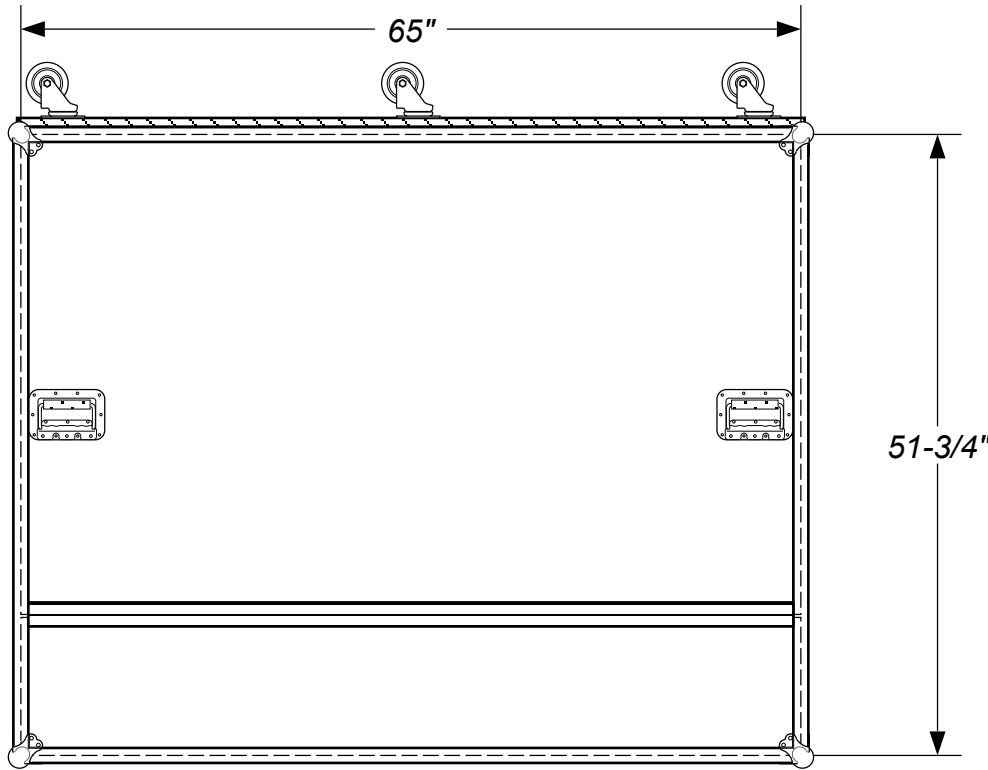
PAGE 3

DATE: 8/31/09

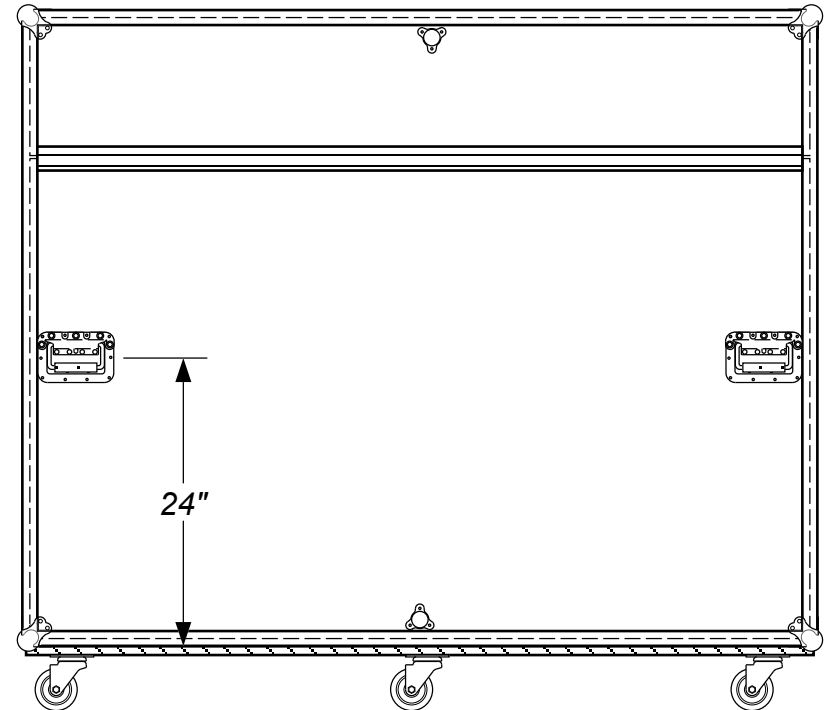
QUOTE # 30005

CARD # 14706

TOP VIEW



BOTTOM VIEW



2720 Intertech Dr.  
 Youngstown, OH 44509  
 Toll Free 1.800.874.8326  
 Fax 330.270.2424

www.lmcases.com

**YOUR SIGNATURE INDICATES APPROVAL OF ALL DIMENSIONS AS SHOWN. WE CANNOT PROCEED WITH CONSTRUCTION UNTIL APPROVAL IS RECEIVED. DUE TO THE CUSTOM NATURE OF OUR PRODUCTS, ALL SALES ARE FINAL.**

TITLE: Yamaha PM 5D-RH w/10" Doghouse (1/2" ATA)

DRAWN BY: PAUL KILLIAN

SIGNATURE:

DATE:

SCALE: 1-1/2" = 1'

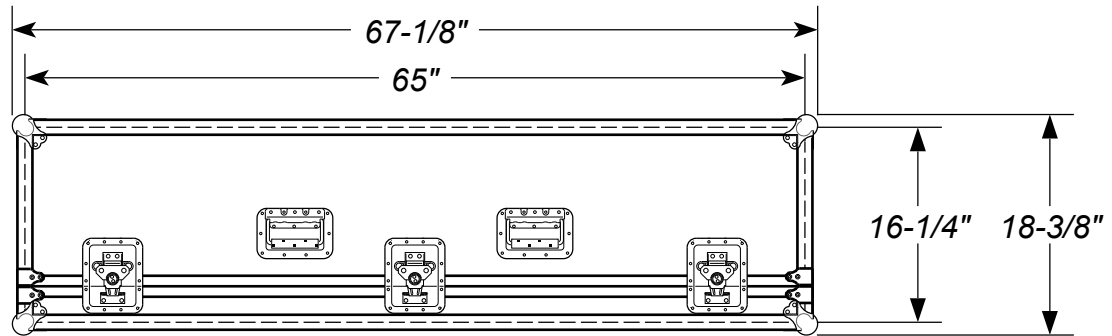
PAGE 4

DATE: 8/31/09

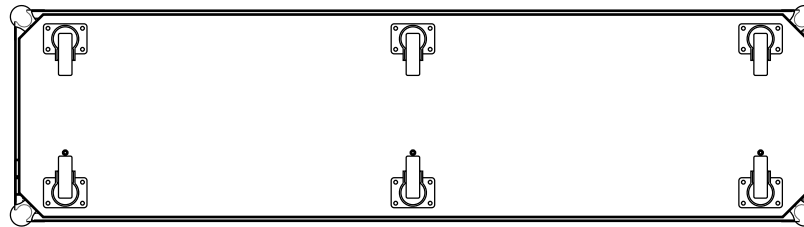
QUOTE # 30005

CARD # 14706

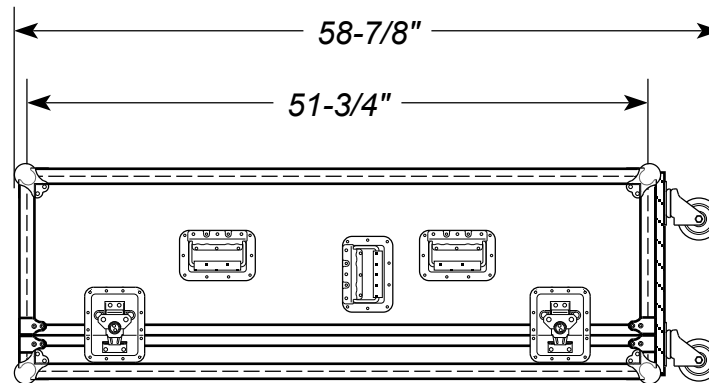
FRONT VIEW



BACK VIEW



RIGHT SIDE VIEW



2720 Intertech Dr.  
 Youngstown, OH 44509  
 Toll Free 1.800.874.8326  
 Fax 330.270.2424

www.lmcases.com

**YOUR SIGNATURE INDICATES APPROVAL OF ALL DIMENSIONS AS SHOWN. WE CANNOT PROCEED WITH CONSTRUCTION UNTIL APPROVAL IS RECEIVED. DUE TO THE CUSTOM NATURE OF OUR PRODUCTS, ALL SALES ARE FINAL.**

TITLE: Yamaha PM 5D-RH w/10" Doghouse (1/2" ATA)

DRAWN BY: PAUL KILLIAN

SIGNATURE:

DATE:

SCALE: 1-1/2" = 1'

PAGE 5

DATE: 8/31/09

QUOTE # 30005

CARD # 14706