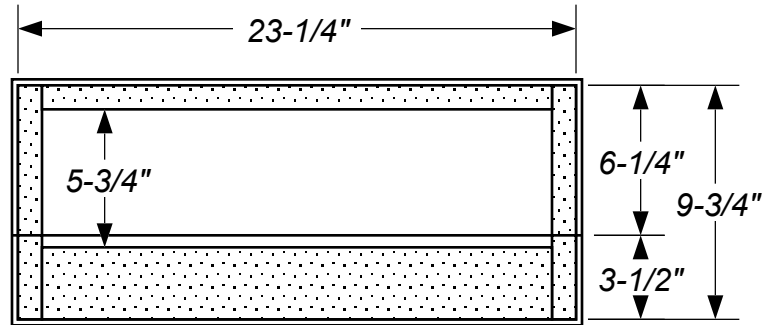
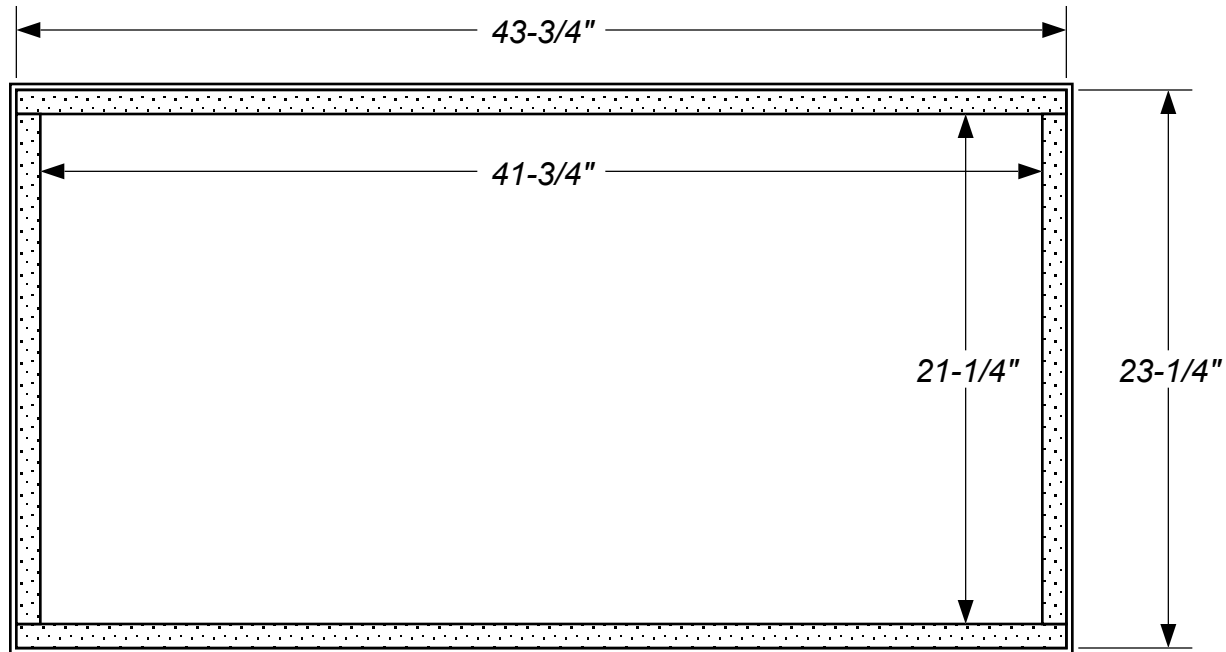


SIDE VIEW
INTERIOR



TRAY
TOP VIEW



2720 Intertech Dr.
Youngstown, OH 44509
Toll Free 1.800.874.8326
Fax 330.270.2424

www.lmcases.com

YOUR SIGNATURE INDICATES APPROVAL OF ALL DIMENSIONS AS SHOWN. WE CANNOT PROCEED WITH CONSTRUCTION UNTIL APPROVAL IS RECEIVED. DUE TO THE CUSTOM NATURE OF OUR PRODUCTS, ALL SALES ARE FINAL.

TITLE: Yamaha MG 32/14FX Mixer Case (1/4" ATA)

DRAWN BY: PAUL KILLIAN

SIGNATURE:

DATE:

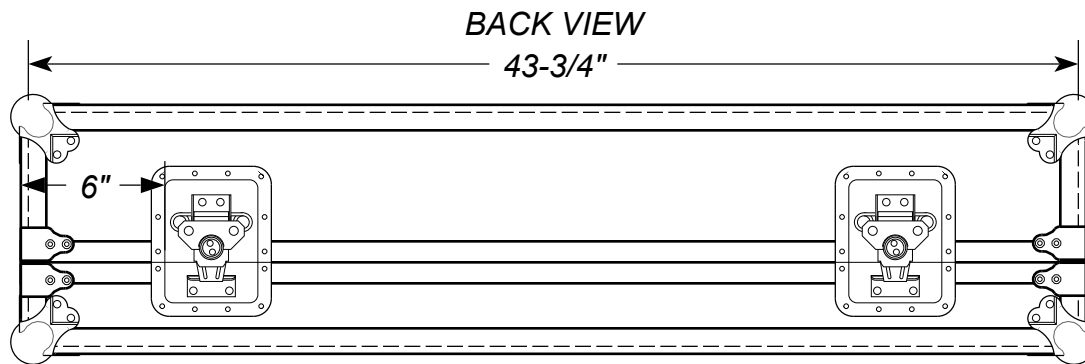
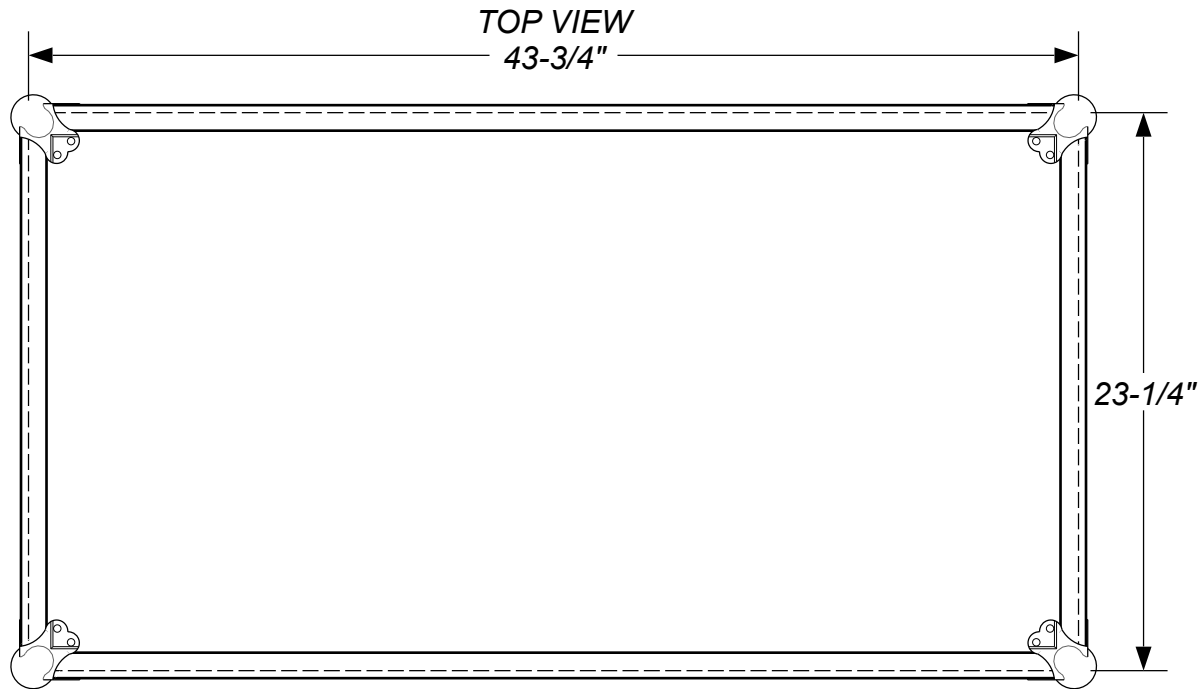
SCALE: 1-1/2" = 1'

PAGE 1

DATE: 6/25/09

QUOTE # 42875r

CARD # 17782



2720 Intertech Dr.
 Youngstown, OH 44509
 Toll Free 1.800.874.8326
 Fax 330.270.2424

www.lmcases.com

YOUR SIGNATURE INDICATES APPROVAL OF ALL DIMENSIONS AS SHOWN. WE CANNOT PROCEED WITH CONSTRUCTION UNTIL APPROVAL IS RECEIVED. DUE TO THE CUSTOM NATURE OF OUR PRODUCTS, ALL SALES ARE FINAL.

TITLE: Yamaha MG 232/14FX Mixer Case (1/4" ATA)

DRAWN BY: PAUL KILLIAN

SIGNATURE:

DATE:

SCALE: 1-1/2" = 1'

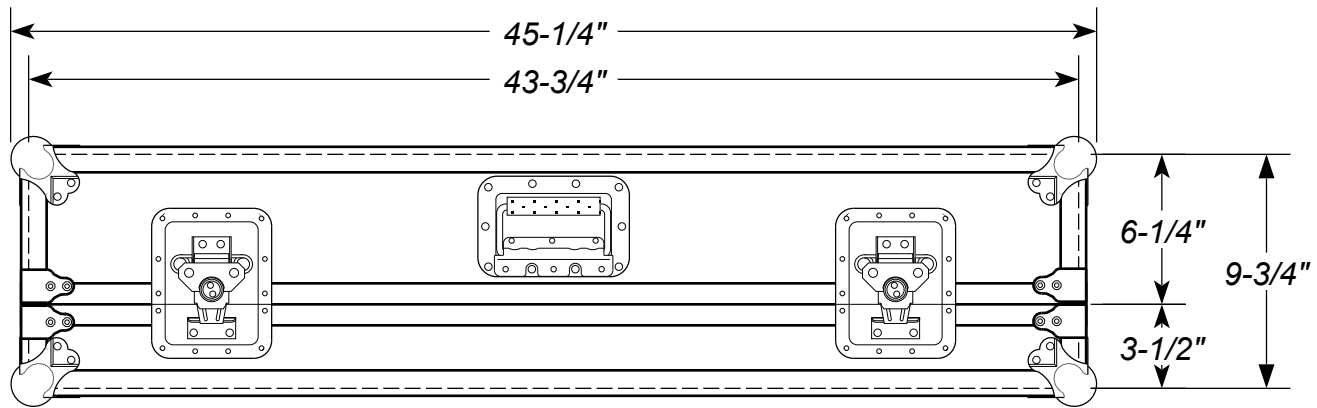
PAGE 2

DATE: 6/25/09

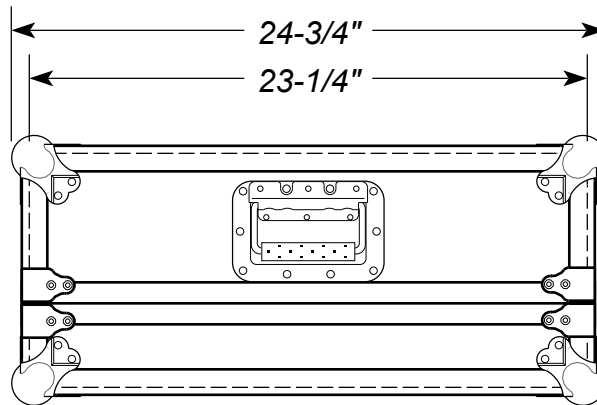
QUOTE # 42875r

CARD # 17782

FRONT VIEW



SIDE VIEW



2720 Intertech Dr.
 Youngstown, OH 44509
 Toll Free 1.800.874.8326
 Fax 330.270.2424

www.lmcases.com

YOUR SIGNATURE INDICATES APPROVAL OF ALL DIMENSIONS AS SHOWN. WE CANNOT PROCEED WITH CONSTRUCTION UNTIL APPROVAL IS RECEIVED. DUE TO THE CUSTOM NATURE OF OUR PRODUCTS, ALL SALES ARE FINAL.

TITLE: Yamaha MG 32/14FX Mixer Case (1/4" ATA)

DRAWN BY: PAUL KILLIAN

SIGNATURE:

DATE:

SCALE: 1-1/2" = 1'

PAGE 3

DATE: 6/25/09

QUOTE # 42875r

CARD # 17782