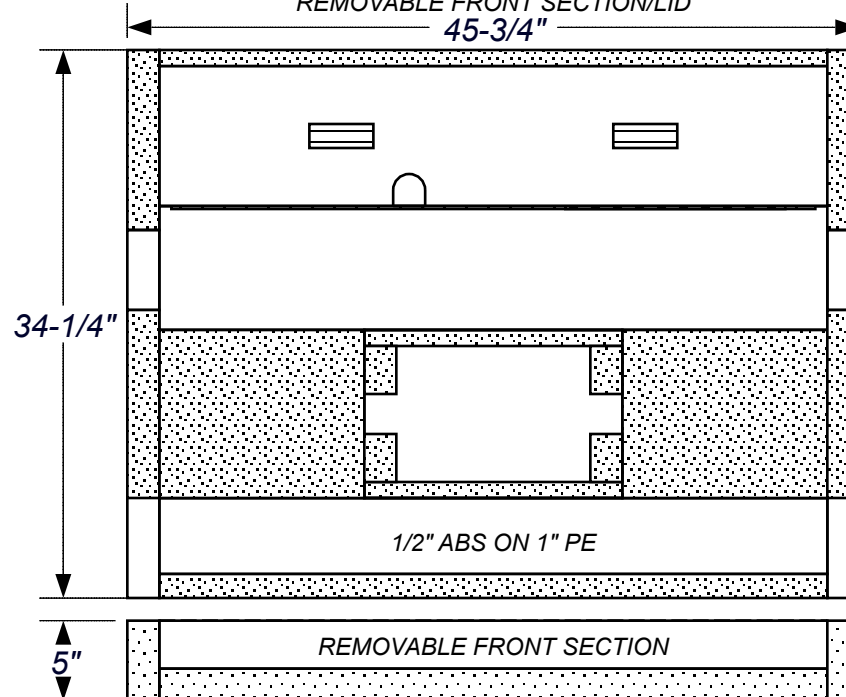


1 1/4" WIDE  
ANGLE CUT PE ON SIDES  
TO TRAP BOARD

TOP VIEW OF THE TRAY CONTAINING THE 8" DEEP DOGHOUSE  
THE CONSOLE PROTRUDES BEYOND THE SPLIT 3" INTO THE  
REMOVABLE FRONT SECTION/LID



2720 Intertech Dr.  
Youngstown, OH 44509  
Toll Free 1.800.874.8326  
Fax 330.270.2424

www.lmcases.com

**YOUR SIGNATURE INDICATES APPROVAL OF ALL DIMENSIONS AS SHOWN. WE CANNOT PROCEED WITH CONSTRUCTION UNTIL APPROVAL IS RECEIVED. DUE TO THE CUSTOM NATURE OF OUR PRODUCTS, ALL SALES ARE FINAL.**

SIGNATURE:

DATE:

TITLE:: YAMAHA M7CL 32-CHANNEL MIXING CONSOLE

SCALE: 1-1/2" = 1'

PAGE 1

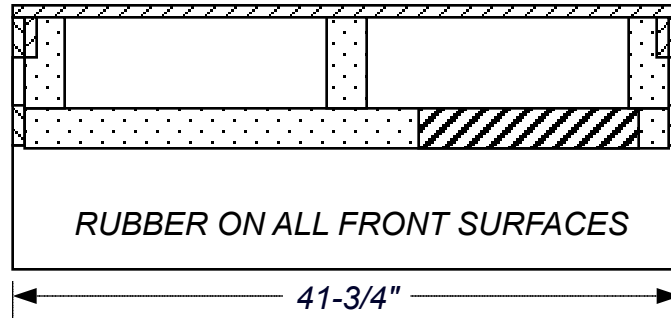
DRAWN BY: JACK PITTANO

DATE: 9/7/06

QUOTE # 34209

CARD # 15663

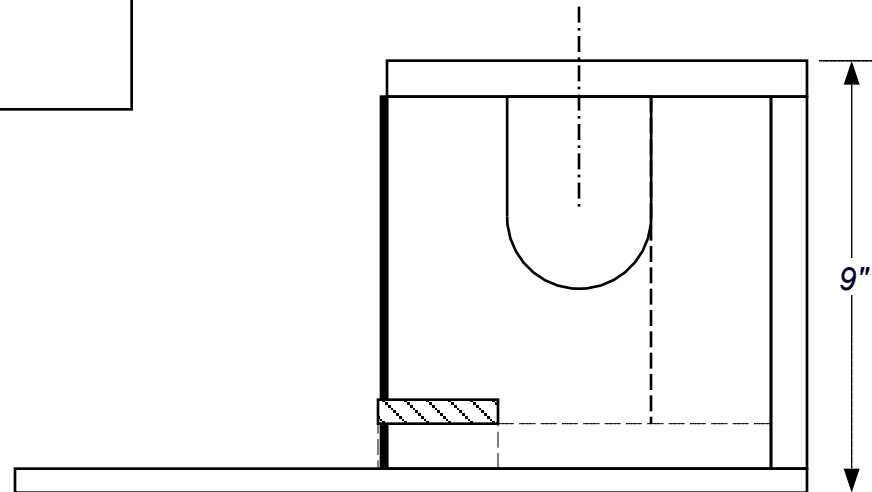
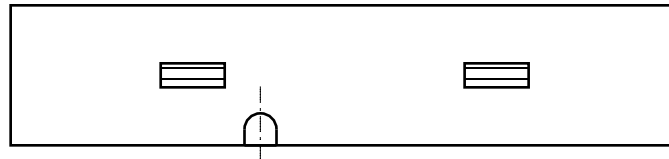
TOP VIEW OF DOGHOUSE W/ LID REMOVED



BOTTOM SUPPORTS ARE LEAD OUT FROM THE SIDE/UPRIGHTS 3/16" OF AN INCH DIFFERENT - THE REAR SUPPORT PCS. ARE AT AN ODD LENGTH TO SET THIS DISTANCE

SIDE VIEW DETAIL

VIEW OF TOP LID W/ LAMP CUT OUT PLACEMENT - HANDLES



2720 Intertech Dr.  
Youngstown, OH 44509  
Toll Free 1.800.874.8326  
Fax 330.270.2424

www.lmcases.com

YOUR SIGNATURE INDICATES APPROVAL OF ALL DIMENSIONS AS SHOWN. WE CANNOT PROCEED WITH CONSTRUCTION UNTIL APPROVAL IS RECEIVED. DUE TO THE CUSTOM NATURE OF OUR PRODUCTS, ALL SALES ARE FINAL.

SIGNATURE:

DATE:

TITLE:: YAMAHA M7CL 32-CHANNEL MIXING CONSOLE

SCALE: 1-1/2" = 1'

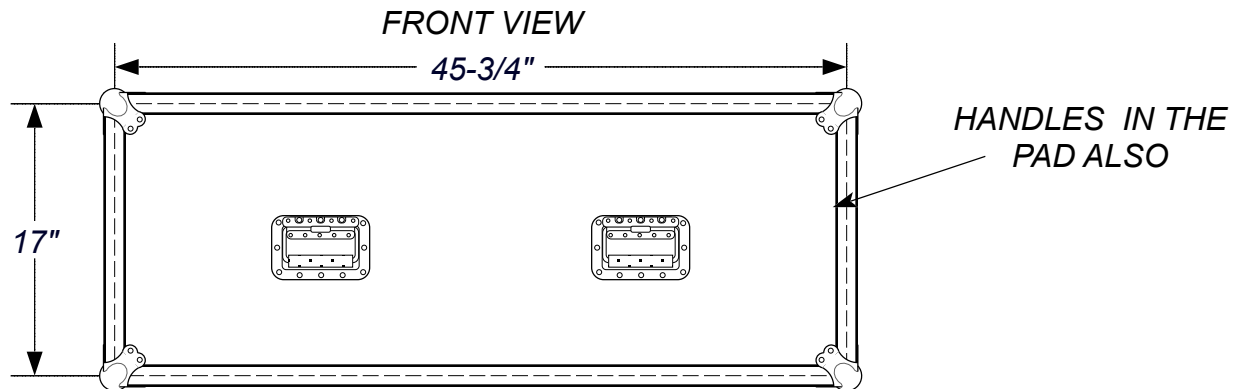
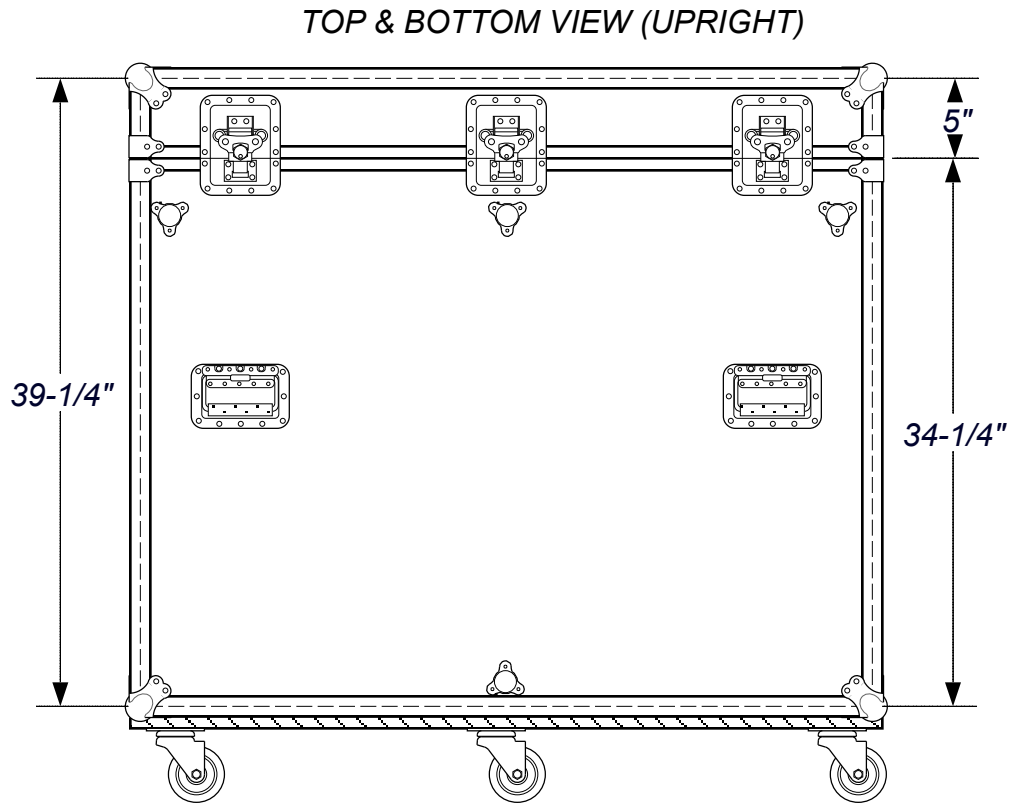
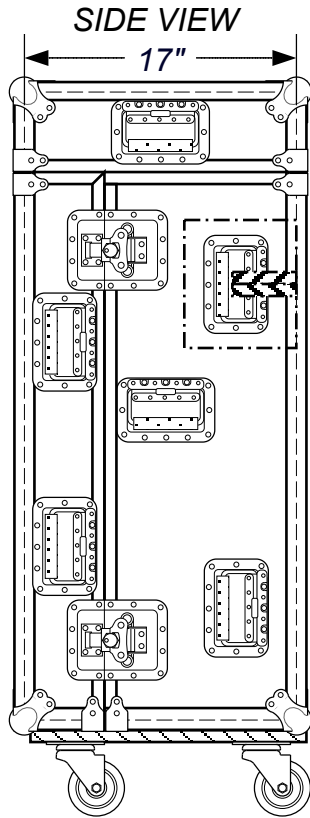
PAGE 1

DRAWN BY: JACK PITTANO

DATE: 9/7/06

QUOTE # 34209

CARD # 15663



2720 Intertech Dr.  
 Youngstown, OH 44509  
 Toll Free 1.800.874.8326  
 Fax 330.270.2424

[www.lmcases.com](http://www.lmcases.com)

**YOUR SIGNATURE INDICATES APPROVAL OF ALL DIMENSIONS AS SHOWN. WE CANNOT PROCEED WITH CONSTRUCTION UNTIL APPROVAL IS RECEIVED. DUE TO THE CUSTOM NATURE OF OUR PRODUCTS, ALL SALES ARE FINAL.**

SIGNATURE:

DATE:

TITLE:: YAMAHA M7CL 32-CHANNEL MIXING CONSOLE

SCALE: 1-1/2" = 1'

PAGE 1

DRAWN BY: JACK PITTANO

DATE: 9/7/06

QUOTE # 34209

CARD # 15663