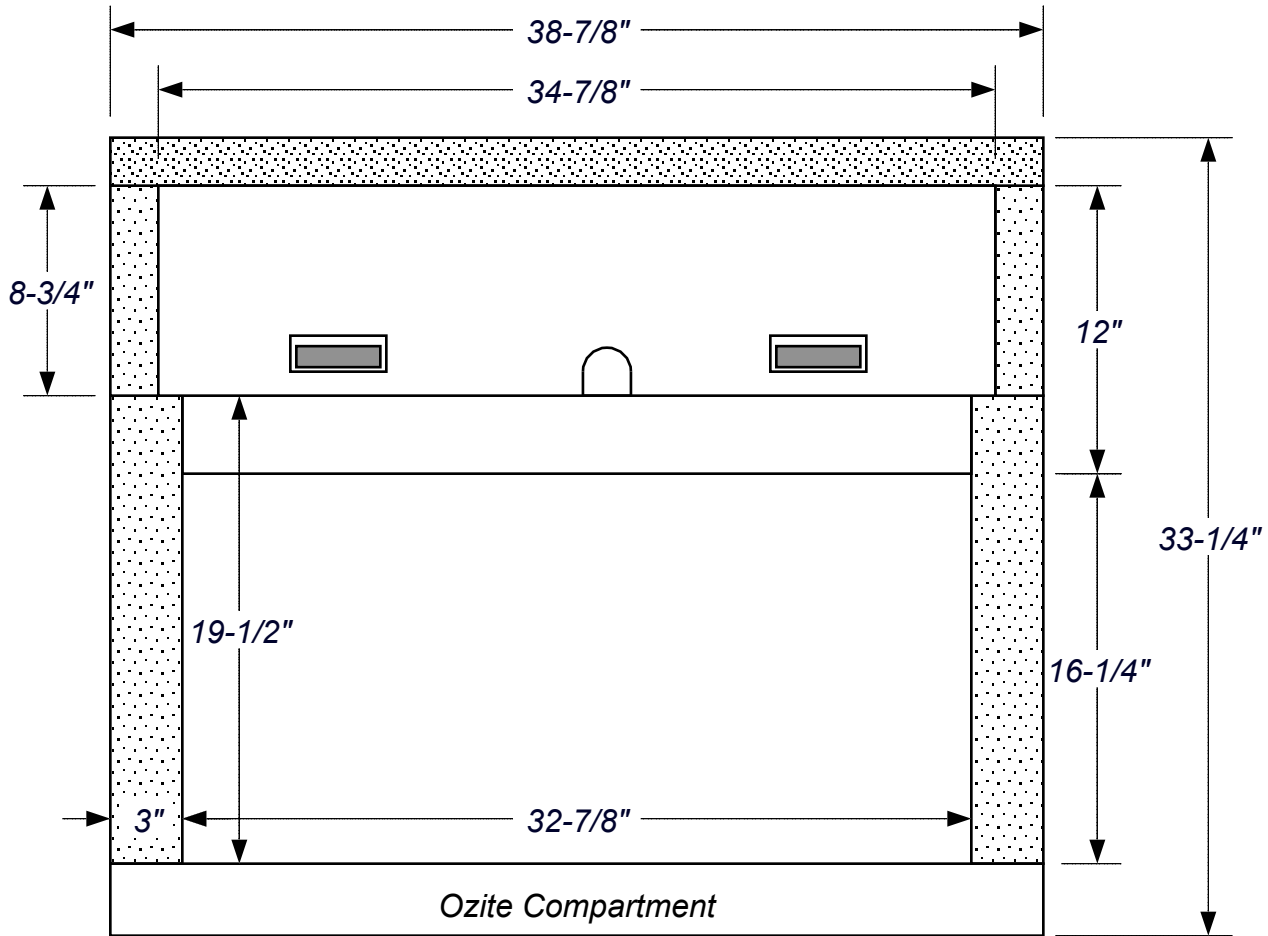


**TOP VIEW TRAY**  
 2" Foam Lined, 2" h Bottom, Ozite on Front to Allow Access  
 to Front Connectors. 8" Doghouse Mounted to Tray



2720 Intertech Dr.  
 Youngstown, OH 44509  
 Toll Free 1.800.874.8326  
 Fax 330.270.2424

[www.lmcases.com](http://www.lmcases.com)

**YOUR SIGNATURE INDICATES APPROVAL OF ALL DIMENSIONS AS SHOWN. WE CANNOT PROCEED WITH CONSTRUCTION UNTIL APPROVAL IS RECEIVED. DUE TO THE CUSTOM NATURE OF OUR PRODUCTS, ALL SALES ARE FINAL.**

SIGNATURE:

DATE:

TITLE: YAMAHA LS9 - 32 CHANNEL MIXER W/ 8" DOGHOUSE

SCALE: 1-1/2" = 1'

PAGE 1

DRAWN BY: DAVID HENDRICK

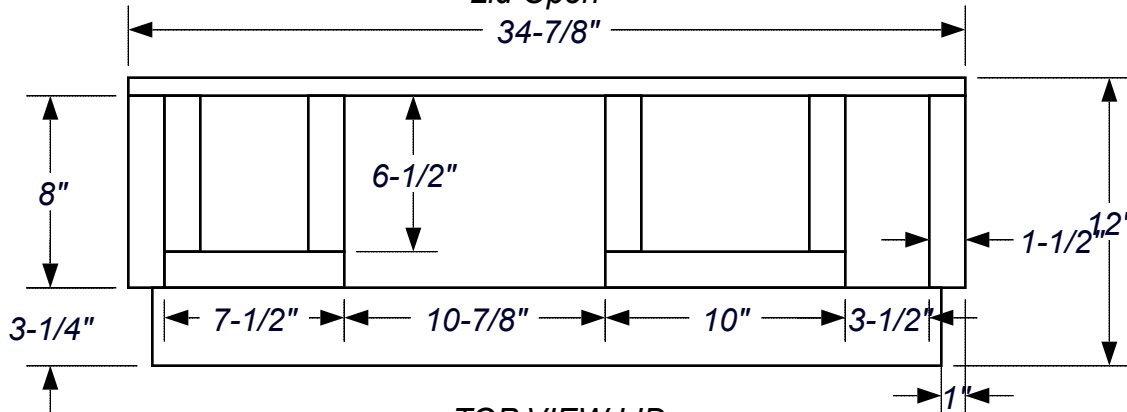
DATE: 12/07/06

QUOTE #

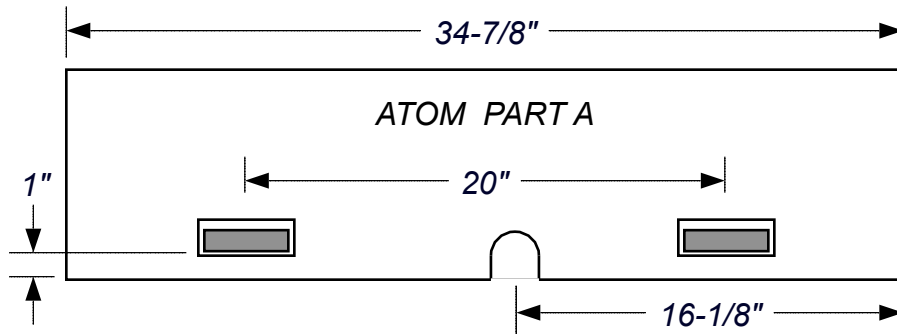
CARD # 15891

**TOP VIEW DOGHOUSE DETAIL**

Lid Open

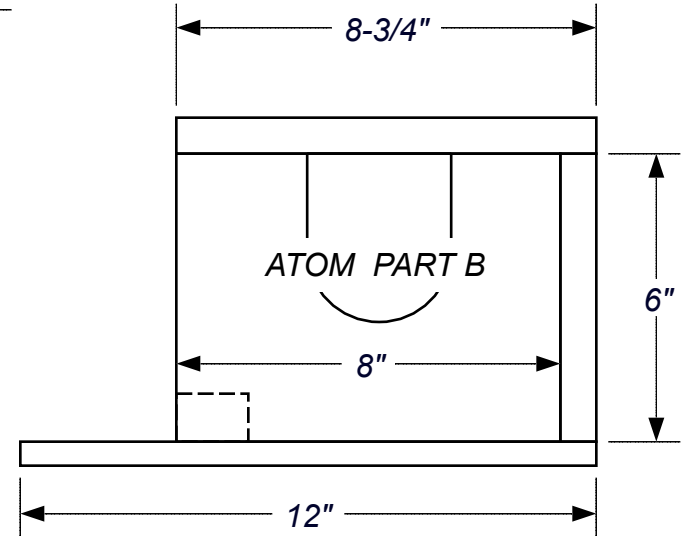


**TOP VIEW LID**



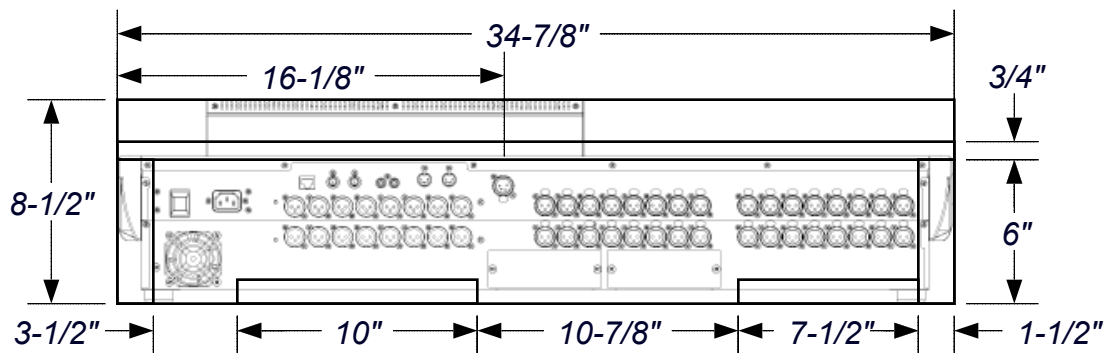
**ATOM PART A**

**SIDE VIEW DOGHOUSE**  
Rubber on All Front Edges



**ATOM PART B**

**BACK VIEW OF DOGHOUSE BLOCKING**



2720 Intertech Dr.  
Youngstown, OH 44509  
Toll Free 1.800.874.8326  
Fax 330.270.2424

www.lmcases.com

**YOUR SIGNATURE INDICATES APPROVAL OF ALL DIMENSIONS AS SHOWN. WE CANNOT PROCEED WITH CONSTRUCTION UNTIL APPROVAL IS RECEIVED. DUE TO THE CUSTOM NATURE OF OUR PRODUCTS, ALL SALES ARE FINAL.**

TITLE: YAMAHA LS9 - 32 CHANNEL MIXER W/ 8" DOGHOUSE

DRAWN BY: DAVID HENDRICK

SIGNATURE:

DATE:

DATE: 12/07/06

SCALE: 1-1/2" = 1'

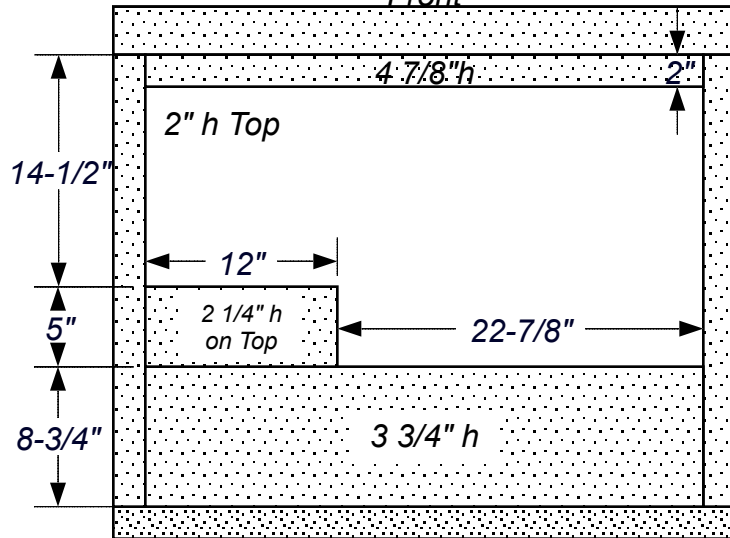
PAGE 2

QUOTE #

CARD # 15891

TOP VIEW LID

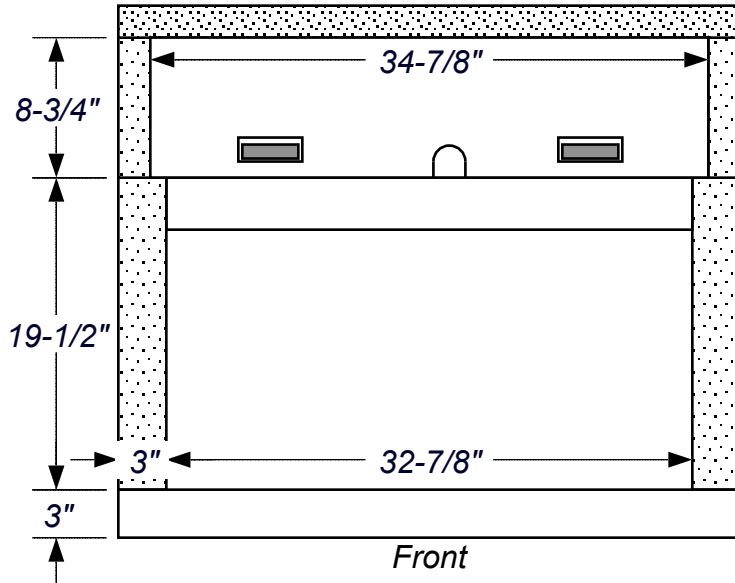
Front



Back

TOP VIEW TRAY

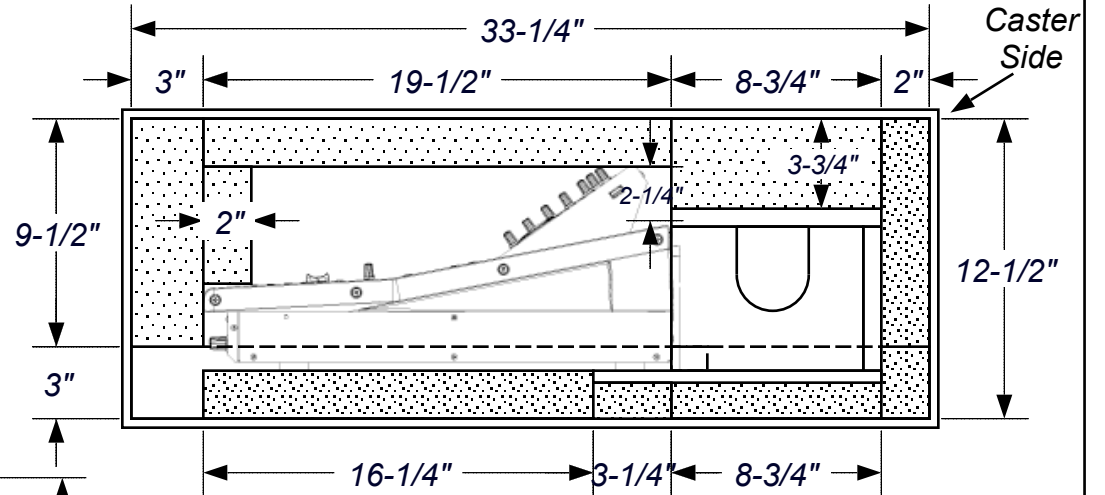
Back



Front

SIDE VIEW CUT THRU

8" Doghouse, 3" Front Lid Block to Hold Mixer  
 2" Nose Block 4 7/8" h, 3 3/4" h Block to Hold Doghouse Lid  
 2 1/4" h x 12 x 5 Block in Lid to Hold Left Side of Mixer



Caster Side



2720 Intertech Dr.  
 Youngstown, OH 44509  
 Toll Free 1.800.874.8326  
 Fax 330.270.2424

www.lmcases.com

YOUR SIGNATURE INDICATES APPROVAL OF ALL DIMENSIONS AS SHOWN. WE CANNOT PROCEED WITH CONSTRUCTION UNTIL APPROVAL IS RECEIVED. DUE TO THE CUSTOM NATURE OF OUR PRODUCTS, ALL SALES ARE FINAL.

TITLE: YAMAHA LS9 - 32 CHANNEL MIXER W/ 8" DOGHOUSE

DRAWN BY: DAVID HENDRICK

SIGNATURE:

DATE:

DATE: 12/07/06

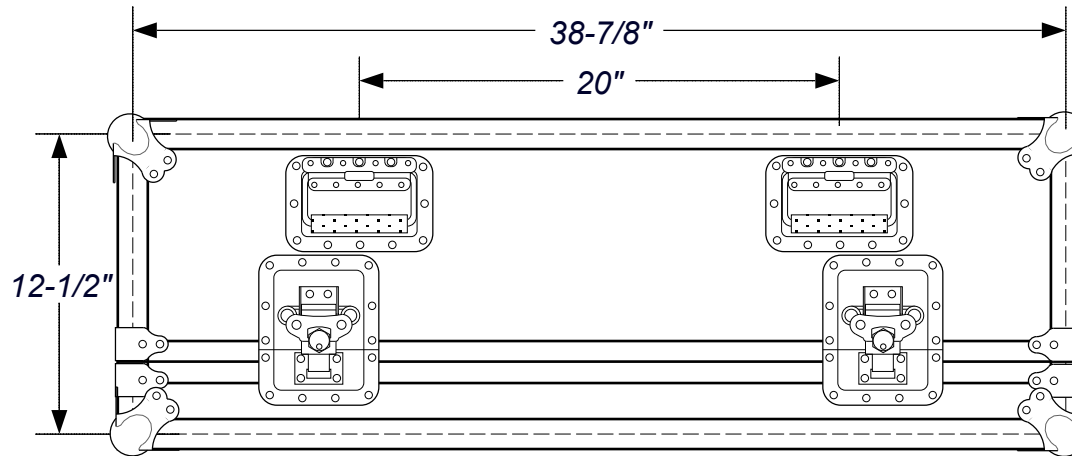
SCALE: 1-1/2" = 1'

QUOTE #

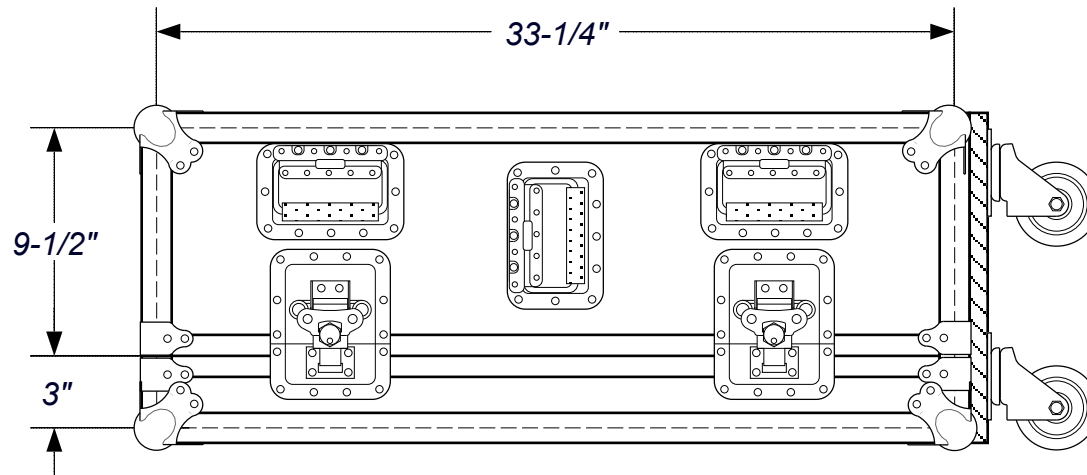
PAGE 3

CARD # 15891

FRONT VIEW



SIDE VIEW



2720 Intertech Dr.  
 Youngstown, OH 44509  
 Toll Free 1.800.874.8326  
 Fax 330.270.2424

www.lmcases.com

**YOUR SIGNATURE INDICATES APPROVAL OF ALL DIMENSIONS AS SHOWN. WE CANNOT PROCEED WITH CONSTRUCTION UNTIL APPROVAL IS RECEIVED. DUE TO THE CUSTOM NATURE OF OUR PRODUCTS, ALL SALES ARE FINAL.**

SIGNATURE:

DATE:

TITLE: YAMAHA LS9 - 32 CHANNEL MIXER W/ 8" DOGHOUSE

SCALE: 1-1/2" = 1'

PAGE 4

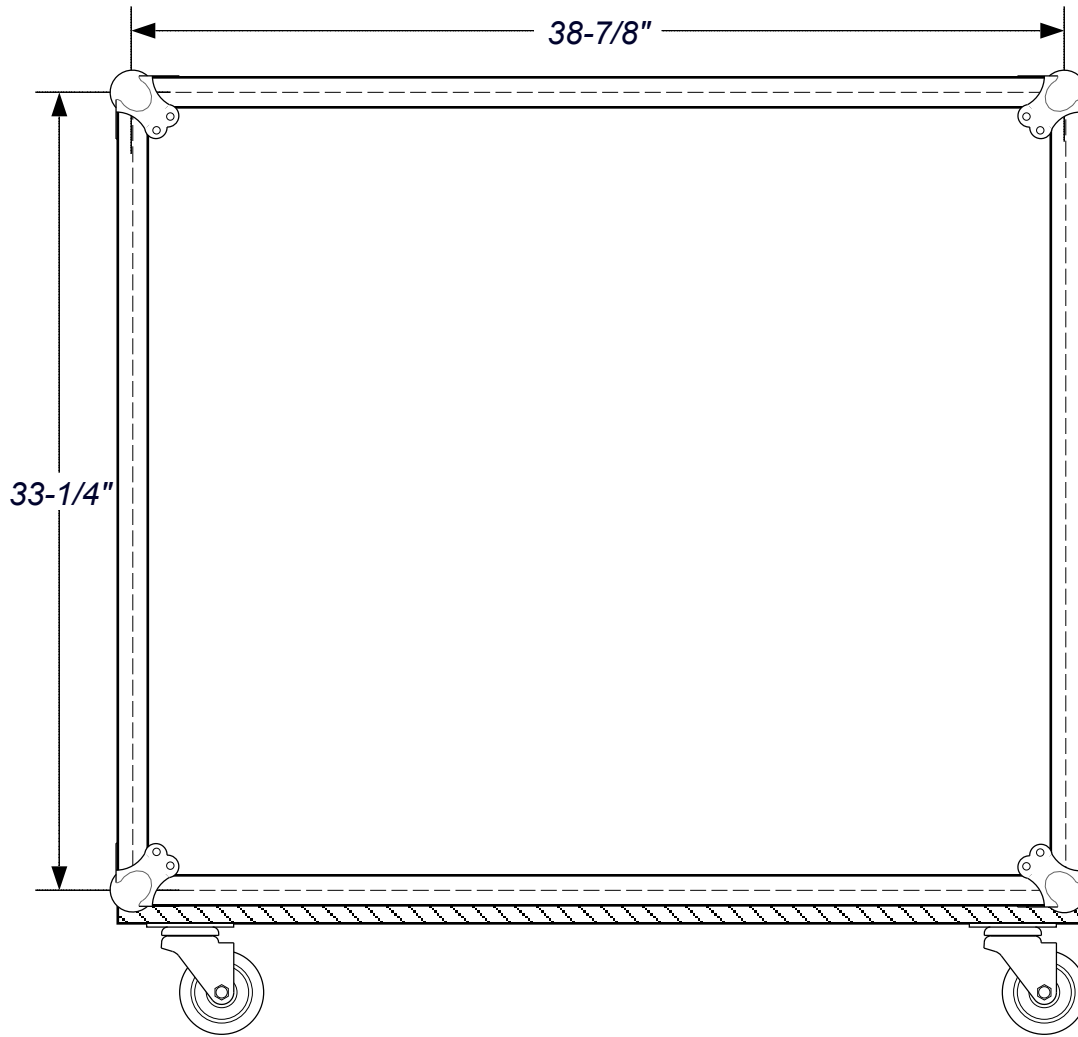
DRAWN BY: DAVID HENDRICK

DATE: 12/07/06

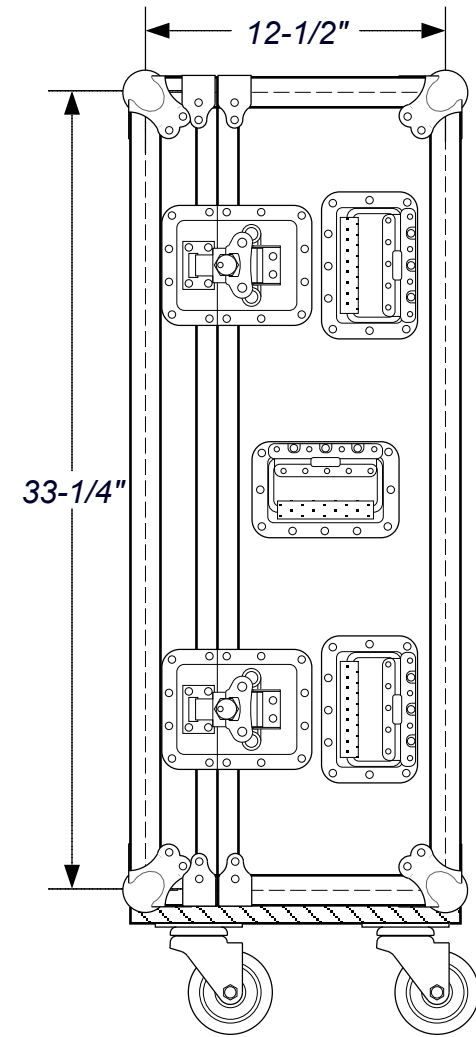
QUOTE #

CARD # 15891

TOP VIEW ON CASTERS  
4 - 3 1/2" Casters



SIDE VIEW ON CASTERS



2720 Intertech Dr.  
Youngstown, OH 44509  
Toll Free 1.800.874.8326  
Fax 330.270.2424

www.lmcases.com

**YOUR SIGNATURE INDICATES APPROVAL OF ALL DIMENSIONS AS SHOWN. WE CANNOT PROCEED WITH CONSTRUCTION UNTIL APPROVAL IS RECEIVED. DUE TO THE CUSTOM NATURE OF OUR PRODUCTS, ALL SALES ARE FINAL.**

TITLE: YAMAHA LS9 - 32 CHANNEL MIXER W/ 8" DOGHOUSE

DRAWN BY: DAVID HENDRICK

SIGNATURE:

DATE:

DATE: 12/07/06

SCALE: 1-1/2" = 1'

PAGE 5

QUOTE #

CARD # 15891