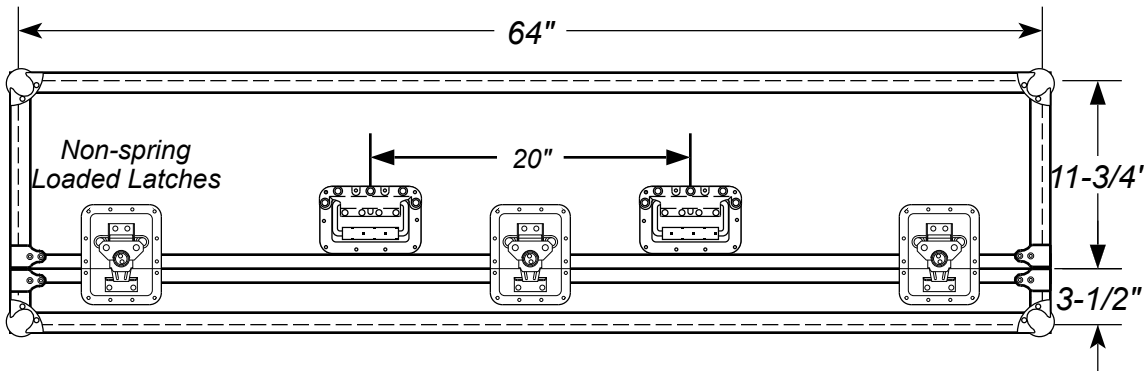
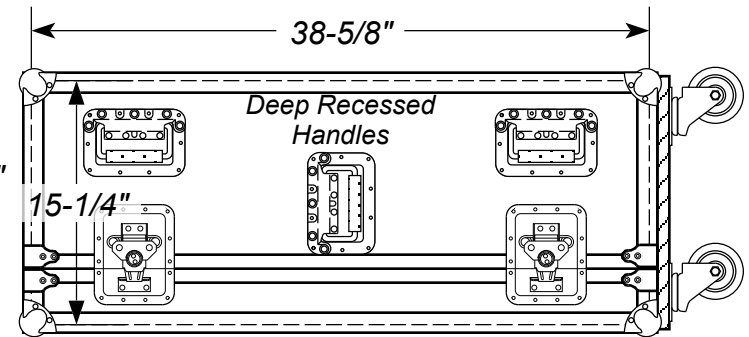


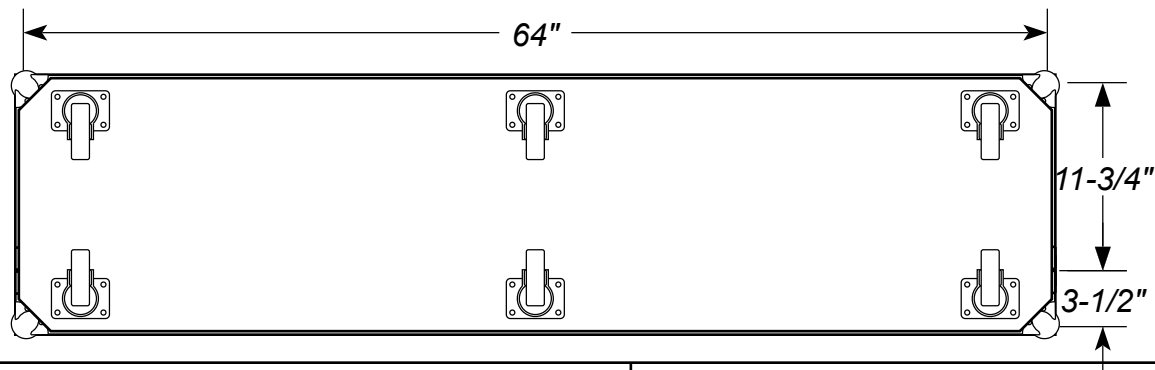
FRONT VIEW



SIDE VIEW



BACK VIEW



APPROX CASE O.D.
65w x 17 1/4d x 46h
on 3 1/2" Castes



2720 Intertech Dr.
Youngstown, OH 44509
Toll Free 1.800.874.8326
Fax 330.270.2424

www.lmcases.com

YOUR SIGNATURE INDICATES APPROVAL OF ALL DIMENSIONS AS SHOWN. WE CANNOT PROCEED WITH CONSTRUCTION UNTIL APPROVAL IS RECEIVED. DUE TO THE CUSTOM NATURE OF OUR PRODUCTS, ALL SALES ARE FINAL.

SIGNATURE:

DATE:

TITLE:: SOUNDRAFT GB8 - 32 CHANNEL MIXER W/ 8"d DOGHOUSE

SCALE: 1-1/2" = 1'

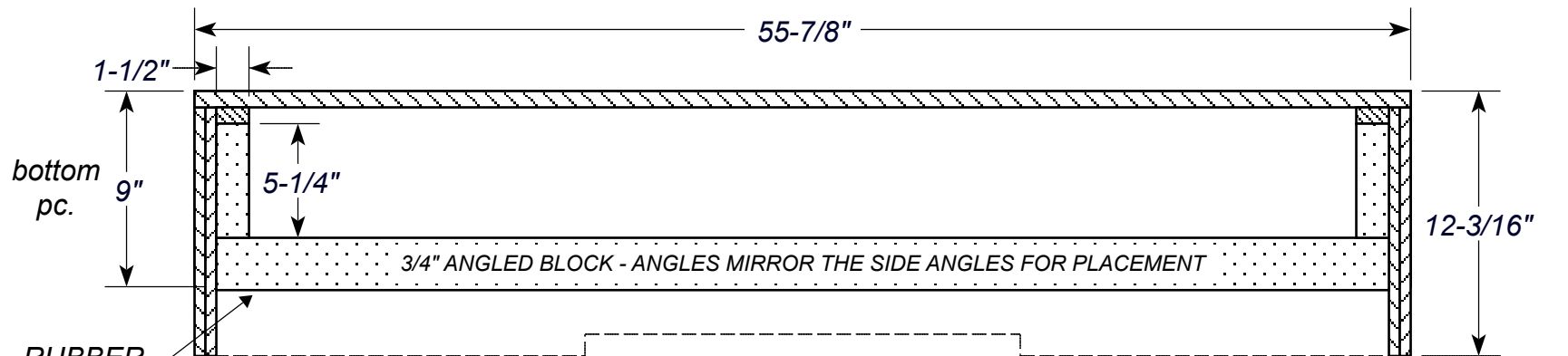
PAGE 1

DRAWN BY: DAVID HENDRICK

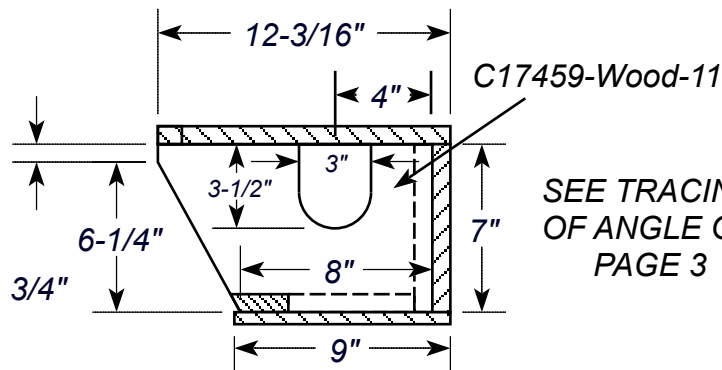
DATE: 10/22/08

QUOTE # 41228

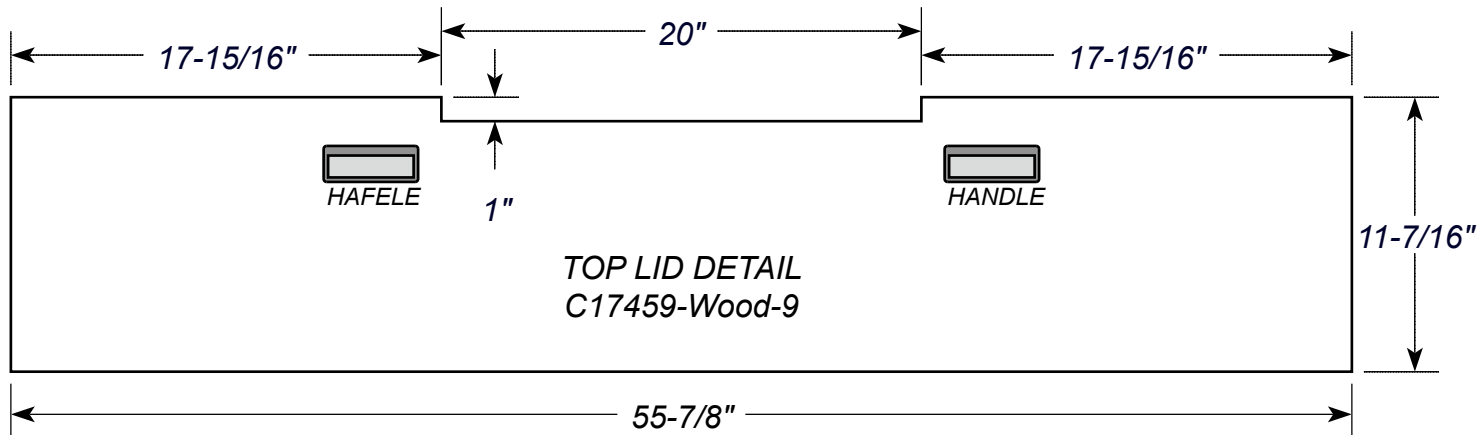
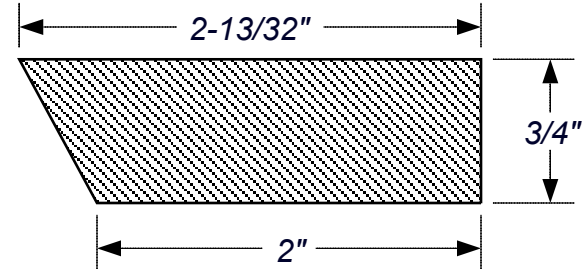
CARD #17459



RUBBER ON FRONT EDGES



ANGLE CUT APPLIED TO FRONT EDGE OF BOTTOM SUPPORT BLOCK - TO SCALE



2720 Intertech Dr.
Youngstown, OH 44509
Toll Free 1.800.874.8326
Fax 330.270.2424

www.lmcases.com

YOUR SIGNATURE INDICATES APPROVAL OF ALL DIMENSIONS AS SHOWN. WE CANNOT PROCEED WITH CONSTRUCTION UNTIL APPROVAL IS RECEIVED. DUE TO THE CUSTOM NATURE OF OUR PRODUCTS, ALL SALES ARE FINAL.

SIGNATURE:

DATE:

TITLE:: SOUNDCRAFT GB8 - 32 CHANNEL MIXER W/ 8"d DOGHOUSE

SCALE: 1-1/2" = 1'

PAGE 2

DRAWN BY: DAVID HENDRICK

DATE: 10/22/08

QUOTE # 41228

CARD #17459

