

2720 Intertech Dr.  
 Youngstown, OH 44509  
 Toll Free 1.800.874.8326  
 Fax 330.270.2424

[www.lmcases.com](http://www.lmcases.com)

**YOUR SIGNATURE INDICATES APPROVAL OF ALL DIMENSIONS AS SHOWN. WE CANNOT PROCEED WITH CONSTRUCTION UNTIL APPROVAL IS RECEIVED. DUE TO THE CUSTOM NATURE OF OUR PRODUCTS, ALL SALES ARE FINAL.**

SIGNATURE:

DATE:

TITLE:: SOUNDCRAFT GB4 - 40 CHANNEL MIXER W/DOGHOUSE

SCALE: 1-1/2" = 1'

PAGE 1

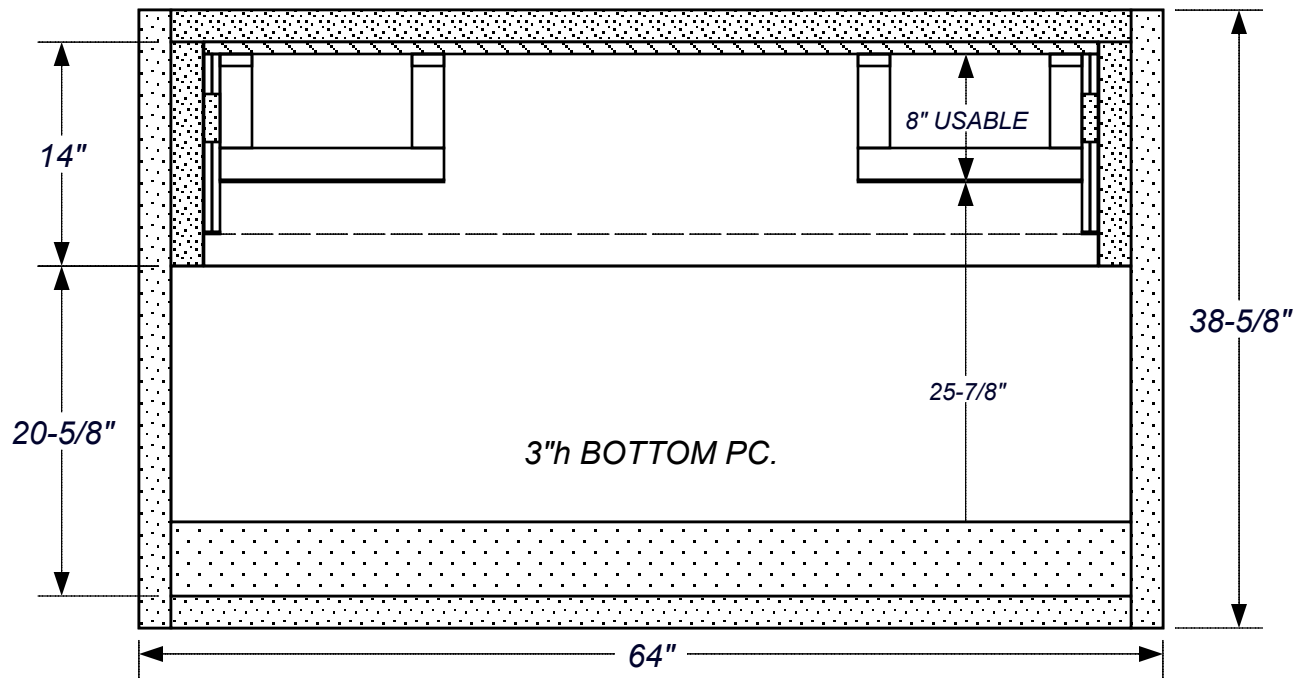
DRAWN BY: JACK PITTANO

DATE:: 2/04/05

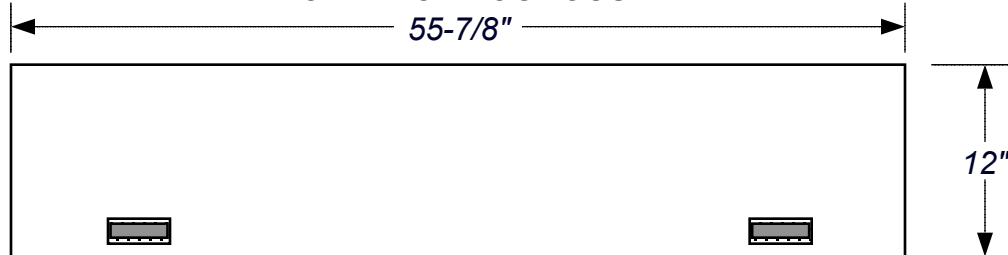
QUOTE # 29049

CARD # 15590

TOP VIEW TRAY



TOP LID OF DOGHOUSE



2720 Intertech Dr.  
 Youngstown, OH 44509  
 Toll Free 1.800.874.8326  
 Fax 330.270.2424

www.lmcases.com

**YOUR SIGNATURE INDICATES APPROVAL OF ALL DIMENSIONS AS SHOWN. WE CANNOT PROCEED WITH CONSTRUCTION UNTIL APPROVAL IS RECEIVED. DUE TO THE CUSTOM NATURE OF OUR PRODUCTS, ALL SALES ARE FINAL.**

SIGNATURE:

DATE:

TITLE:: SOUNDCRAFT GB4 - 40 CHANNEL MIXER W/DOGHOUSE

SCALE: 1-1/2" = 1'

PAGE 1

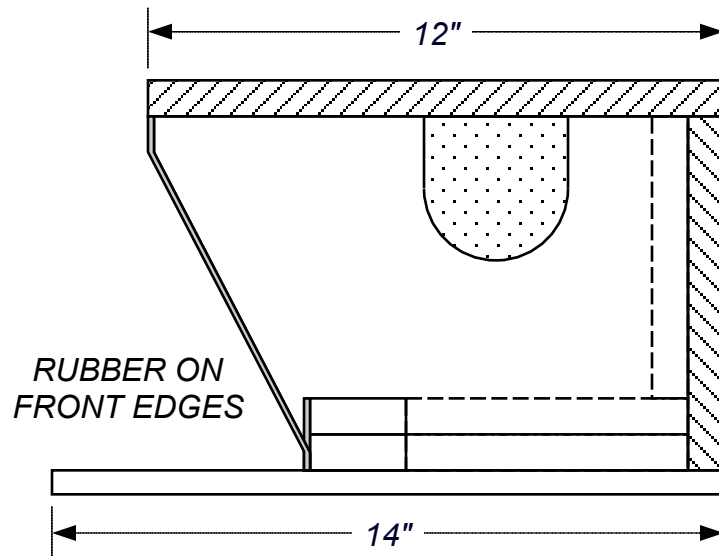
DRAWN BY: JACK PITTANO

DATE:: 2/04/05

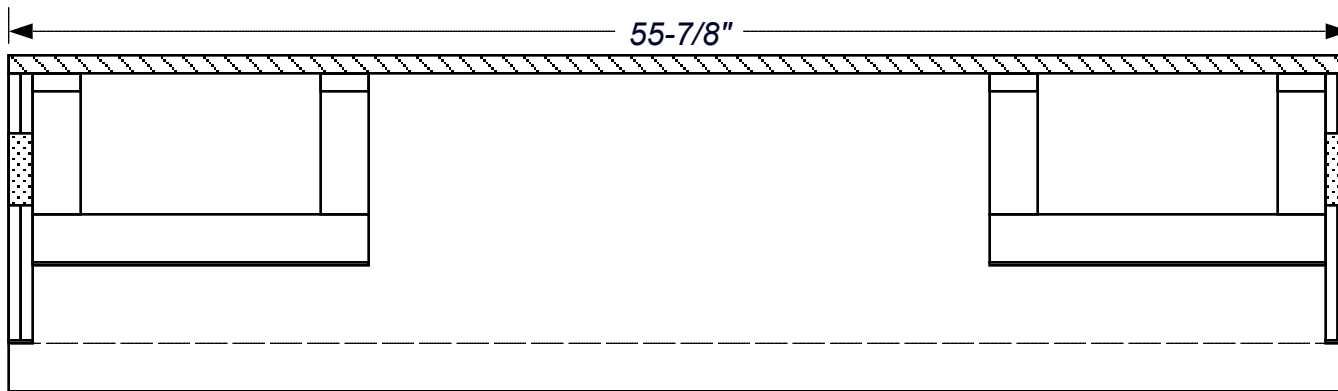
QUOTE # 29049

CARD # 15590

SIDE VIEW



TOP VIEW - NO LID



2720 Intertech Dr.  
 Youngstown, OH 44509  
 Toll Free 1.800.874.8326  
 Fax 330.270.2424

www.lmcases.com

**YOUR SIGNATURE INDICATES APPROVAL OF ALL DIMENSIONS AS SHOWN. WE CANNOT PROCEED WITH CONSTRUCTION UNTIL APPROVAL IS RECEIVED. DUE TO THE CUSTOM NATURE OF OUR PRODUCTS, ALL SALES ARE FINAL.**

SIGNATURE:

DATE:

TITLE:: SOUNDCRAFT GB4 - 40 CHANNEL MIXER W/DOGHOUSE

SCALE: 1-1/2" = 1'

PAGE 1

DRAWN BY: JACK PITTANO

DATE:: 2/04/05

QUOTE # 29049

CARD # 15590