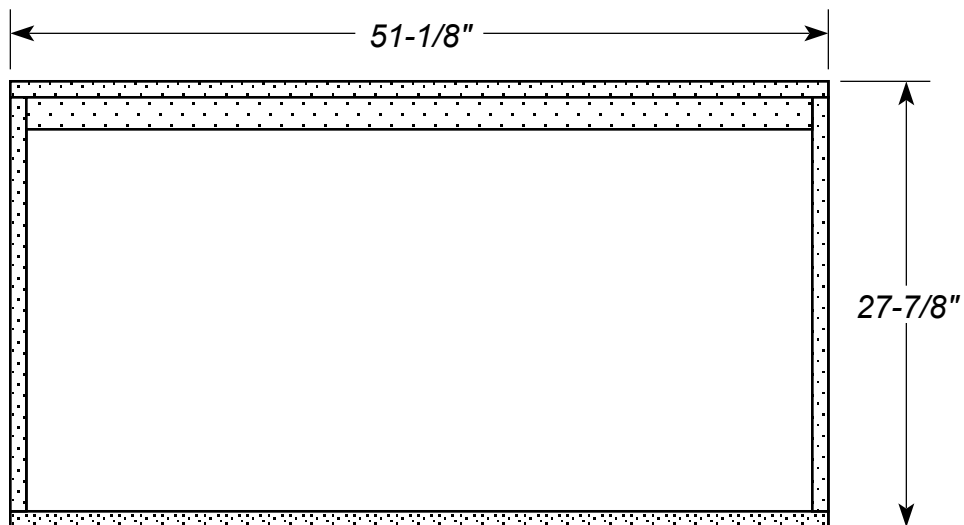


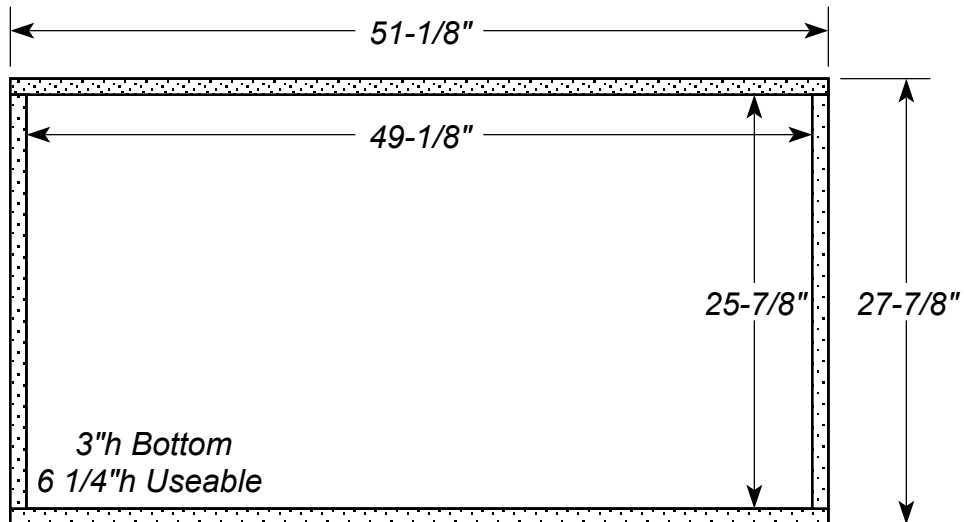
TOP VIEW LID

Nose Block



TOP VIEW TRAY

1" Foam Lined, PE Back



2720 Intertech Dr.
Youngstown, OH 44509
Toll Free 1.800.874.8326
Fax 330.270.2424

www.lmcases.com

YOUR SIGNATURE INDICATES APPROVAL OF ALL DIMENSIONS AS SHOWN. WE CANNOT PROCEED WITH CONSTRUCTION UNTIL APPROVAL IS RECEIVED. DUE TO THE CUSTOM NATURE OF OUR PRODUCTS, ALL SALES ARE FINAL.

SIGNATURE:

DATE:

TITLE: SOUNDCRAFT GB2 32 CHANNEL

SCALE: 1-1/2" = 1'

PAGE 1

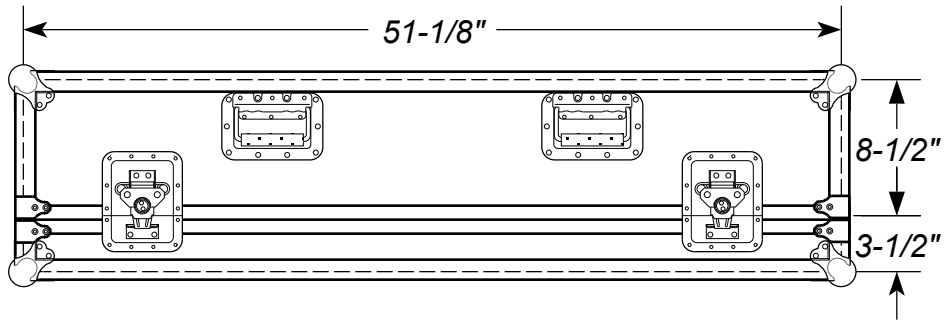
DRAWN BY: DAVID HENDRICK

DATE: 12/30/08

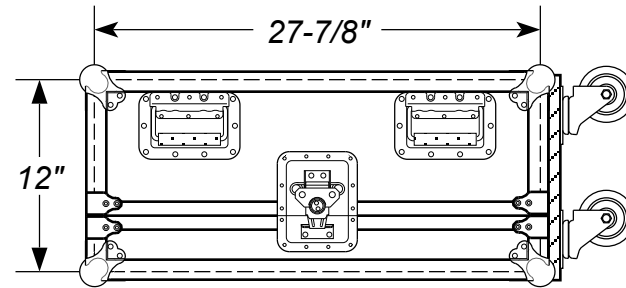
QUOTE #

CARD #17566

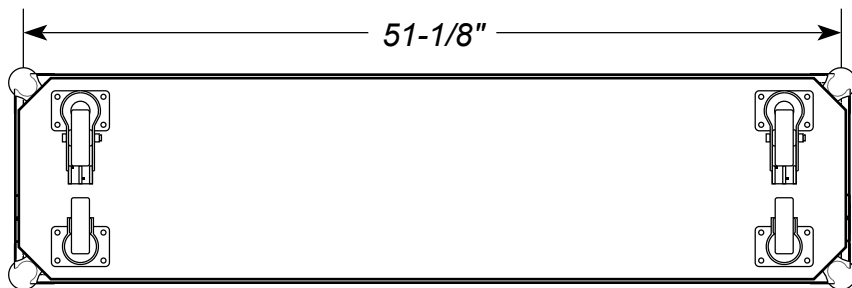
FRONT VIEW



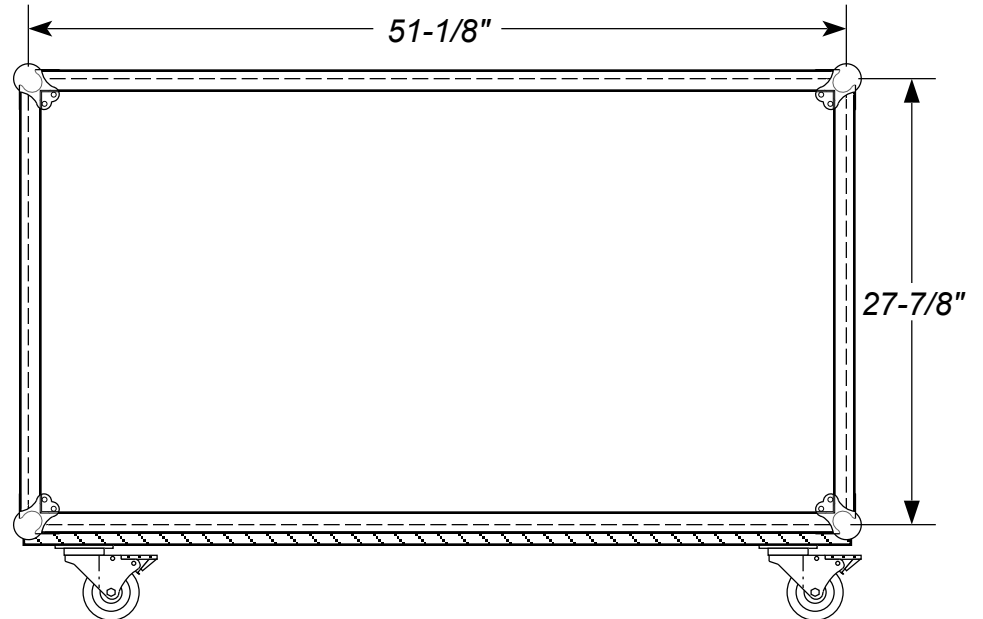
SIDE VIEW



BACK VIEW



TOP VIEW



APPROX CASE O.D.
53 1/8w x 14d x 34 7/8h
(on 3 1/2" Casters)



2720 Intertech Dr.
Youngstown, OH 44509
Toll Free 1.800.874.8326
Fax 330.270.2424

www.lmcases.com

YOUR SIGNATURE INDICATES APPROVAL OF ALL DIMENSIONS AS SHOWN. WE CANNOT PROCEED WITH CONSTRUCTION UNTIL APPROVAL IS RECEIVED. DUE TO THE CUSTOM NATURE OF OUR PRODUCTS, ALL SALES ARE FINAL.

TITLE: SOUNDCRAFT GB2 32 CHANNEL

DRAWN BY: DAVID HENDRICK

SIGNATURE:

DATE:

SCALE: 1-1/2" = 1'

PAGE 2

DATE: 12/30/08

QUOTE #

CARD #17566