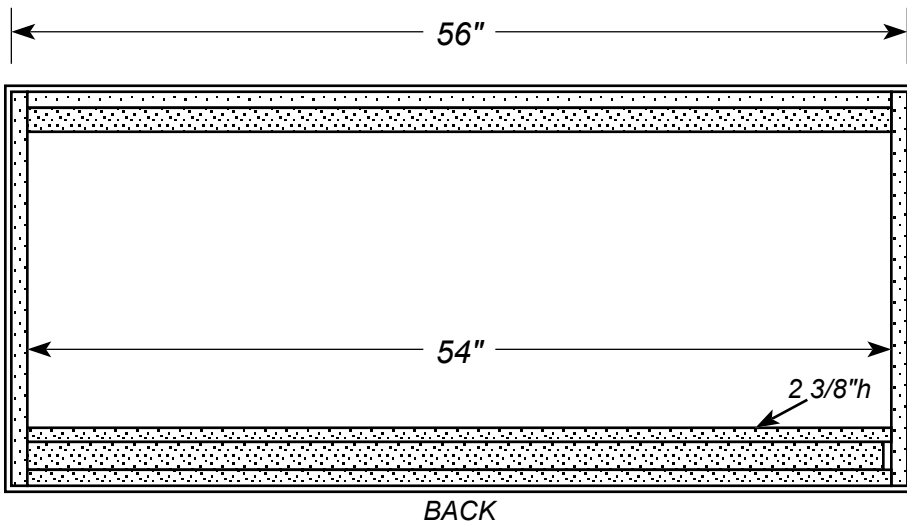
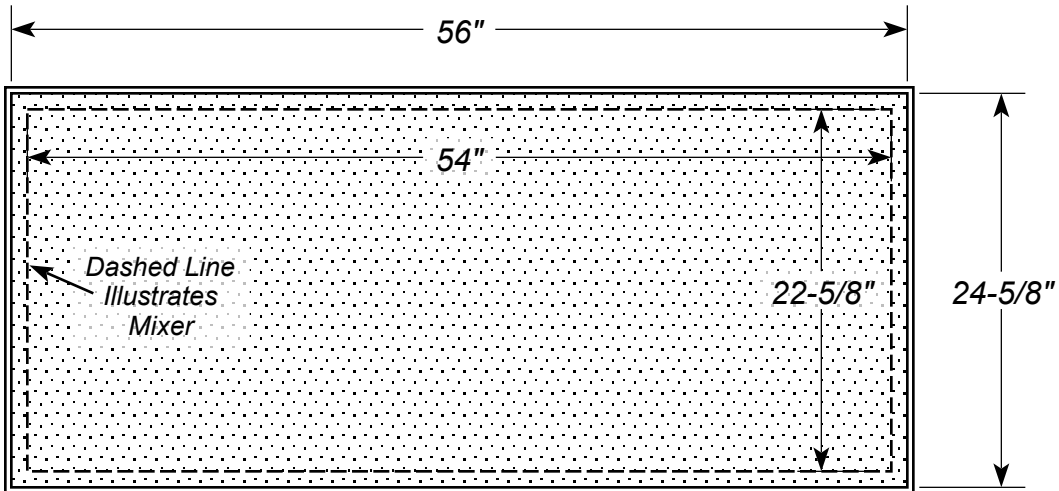


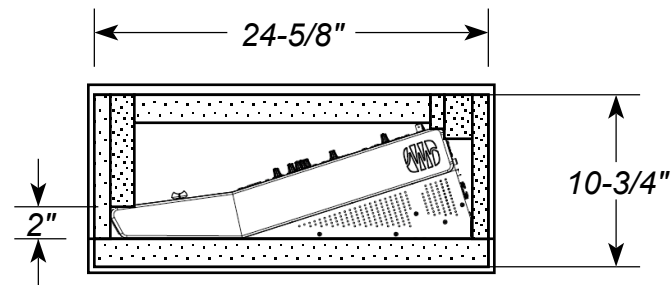
TOP VIEW LID



TOP VIEW TRAY
1 3/4" Foam Filled Tray



SIDE VIEW CUT THRU



2720 Intertech Dr.
Youngstown, OH 44509
Toll Free 1.800.874.8326
Fax 330.270.2424

www.lmcases.com

YOUR SIGNATURE INDICATES APPROVAL OF ALL DIMENSIONS AS SHOWN. WE CANNOT PROCEED WITH CONSTRUCTION UNTIL APPROVAL IS RECEIVED. DUE TO THE CUSTOM NATURE OF OUR PRODUCTS, ALL SALES ARE FINAL.

Presonus 16.4.2 Mixer 3 Capacity. 1" Foam (3/8" ATA)

DRAWN BY: DAVID HENDRICK

SIGNATURE:

DATE:

SCALE: 1-1/2" = 1'

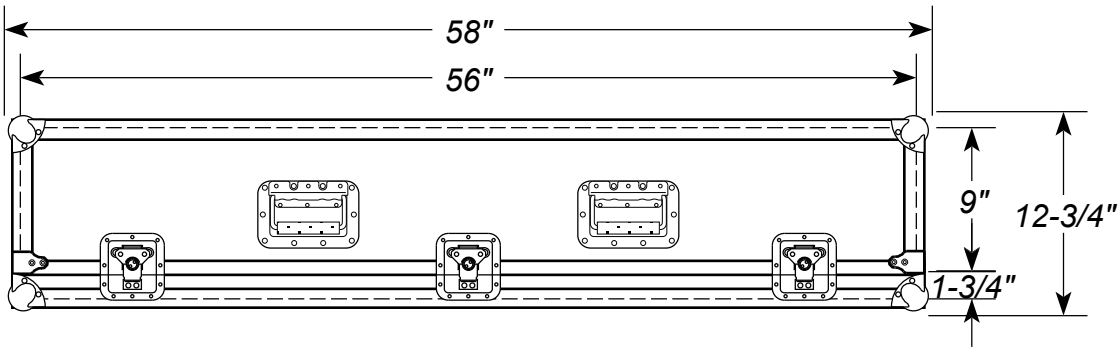
PAGE 1

DATE: 10/30/09

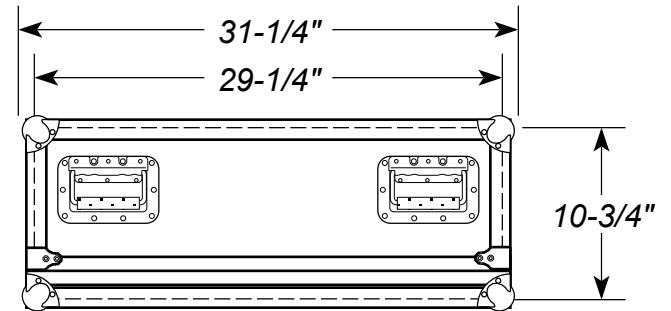
QUOTE #44803

CARD #

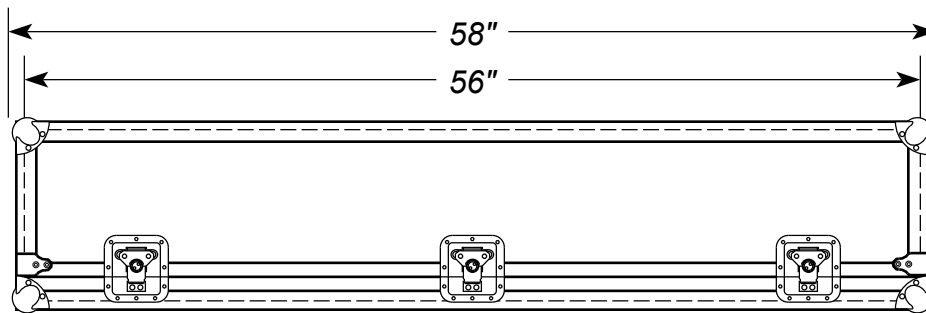
FRONT VIEW



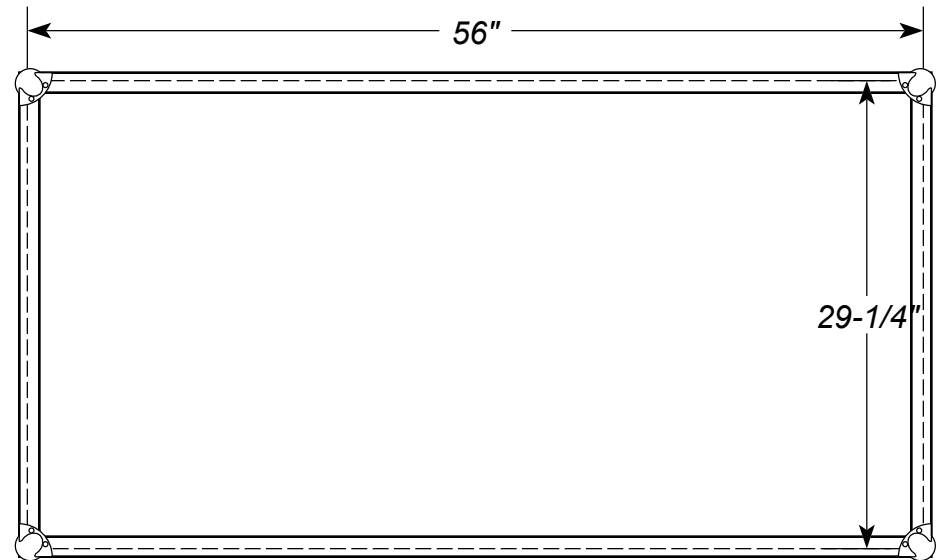
SIDE VIEW



BACK VIEW



TOP VIEW



2720 Intertech Dr.
Youngstown, OH 44509
Toll Free 1.800.874.8326
Fax 330.270.2424

www.lmcases.com

YOUR SIGNATURE INDICATES APPROVAL OF ALL DIMENSIONS AS SHOWN. WE CANNOT PROCEED WITH CONSTRUCTION UNTIL APPROVAL IS RECEIVED. DUE TO THE CUSTOM NATURE OF OUR PRODUCTS, ALL SALES ARE FINAL.

Presonus 16.4.2 Mixer 3 Capacity. 1" Foam (3/8" ATA)

DRAWN BY: DAVID HENDRICK

SIGNATURE:

DATE:

SCALE: 1-1/2" = 1'

PAGE 2

DATE: 10/30/09

QUOTE #44803

CARD #