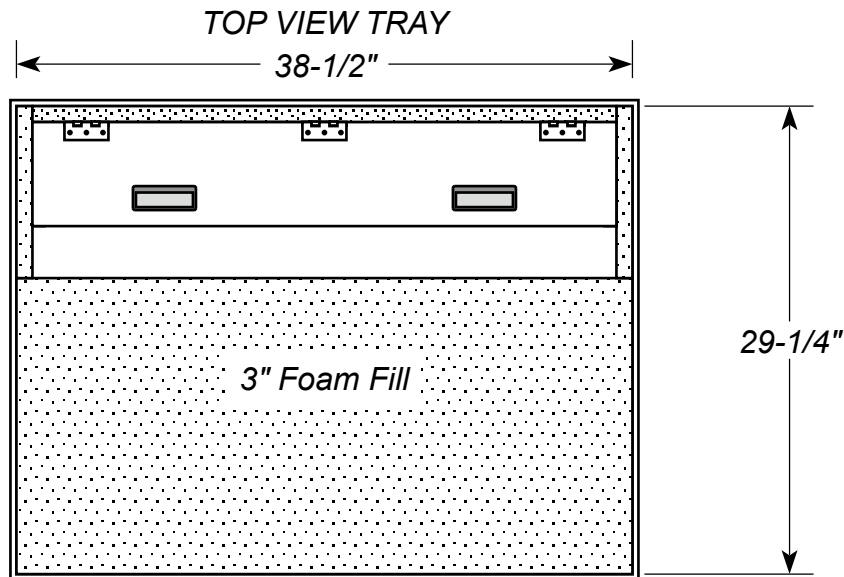
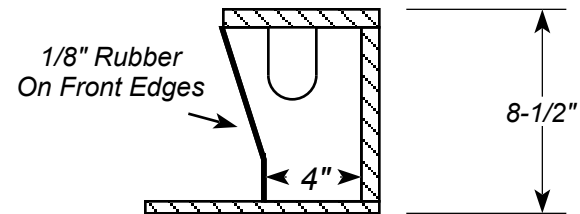
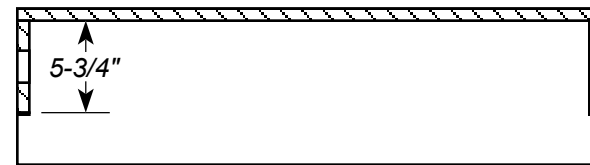


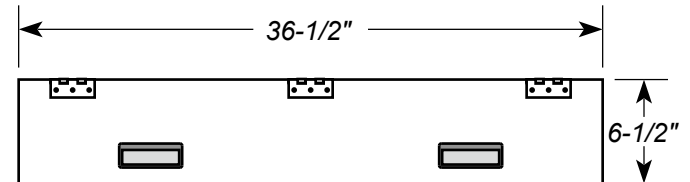
**DOGHOUSE SIDE VIEW**



**TOP VIEW DOGHOUSE**



**DOGHOUSE LID**



2720 Intertech Dr.  
Youngstown, OH 44509  
Toll Free 1.800.874.8326  
Fax 330.270.2424

www.lmcases.com

**YOUR SIGNATURE INDICATES APPROVAL OF ALL DIMENSIONS AS SHOWN. WE CANNOT PROCEED WITH CONSTRUCTION UNTIL APPROVAL IS RECEIVED. DUE TO THE CUSTOM NATURE OF OUR PRODUCTS, ALL SALES ARE FINAL.**

Presonus 16.4.2 Mixer 2 Capacity. 1" Foam, 4" Doghouse (3/8" ATA)

DRAWN BY: DAVID HENDRICK

SIGNATURE:

DATE:

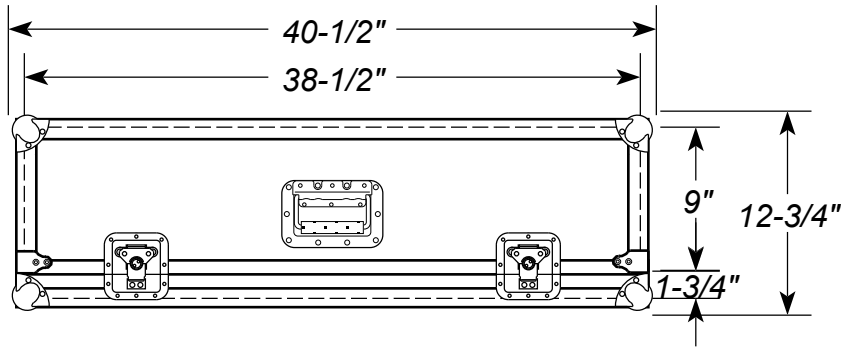
DATE: 10/30/09

SCALE: 1-1/2" = 1' PAGE 1

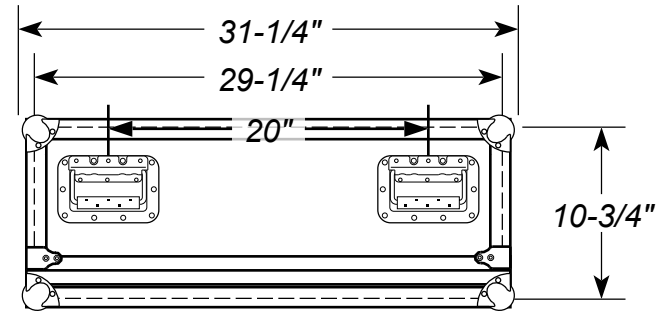
QUOTE #44800

CARD #

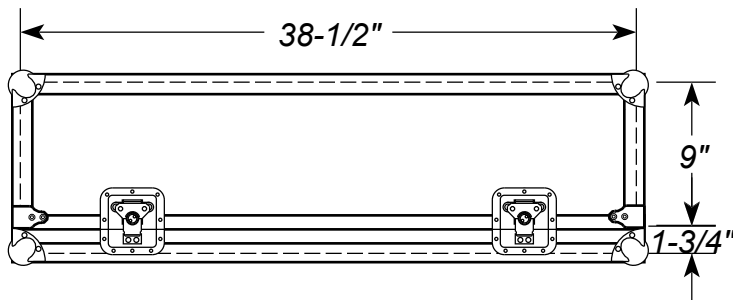
FRONT VIEW



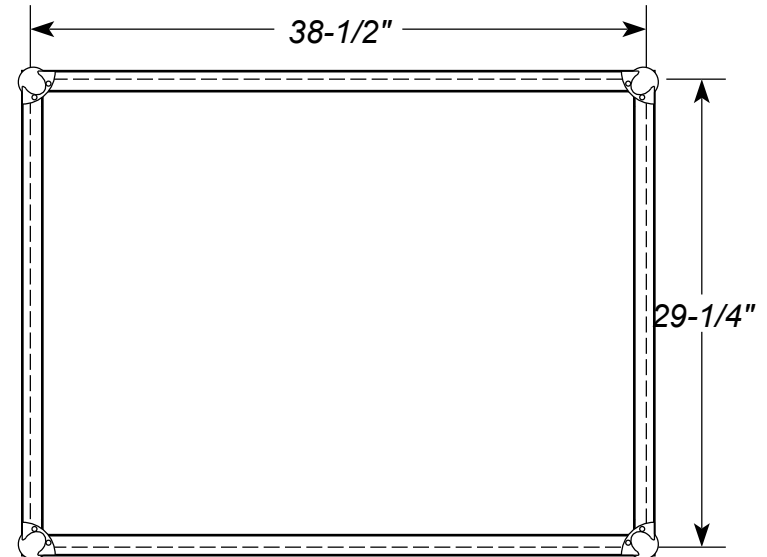
SIDE VIEW



BACK VIEW



TOP VIEW



2720 Intertech Dr.  
 Youngstown, OH 44509  
 Toll Free 1.800.874.8326  
 Fax 330.270.2424

www.lmcases.com

**YOUR SIGNATURE INDICATES APPROVAL OF ALL DIMENSIONS AS SHOWN. WE CANNOT PROCEED WITH CONSTRUCTION UNTIL APPROVAL IS RECEIVED. DUE TO THE CUSTOM NATURE OF OUR PRODUCTS, ALL SALES ARE FINAL.**

Presonus 16.4.2 Mixer 2 Capacity. 1" Foam, 4" Doghouse (3/8" ATA)

DRAWN BY: DAVID HENDRICK

SIGNATURE:

DATE:

SCALE: 1-1/2" = 1' PAGE 2

DATE: 10/30/09

QUOTE #44800

CARD #