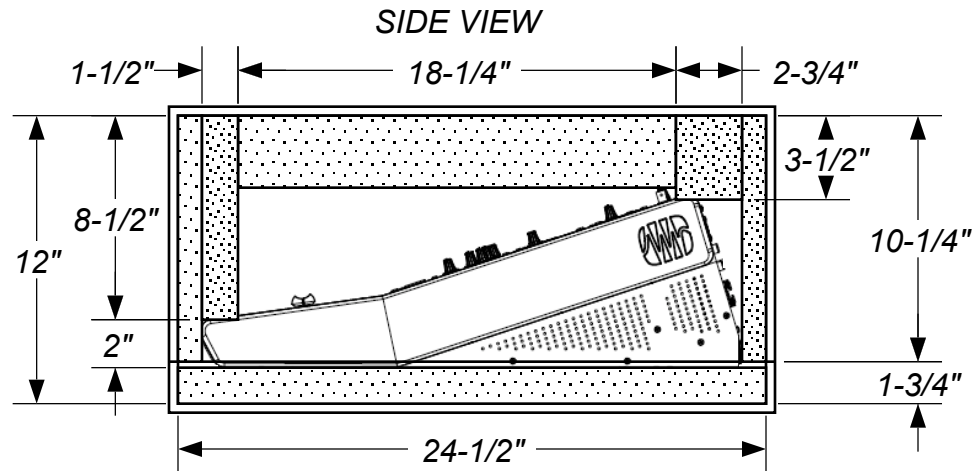
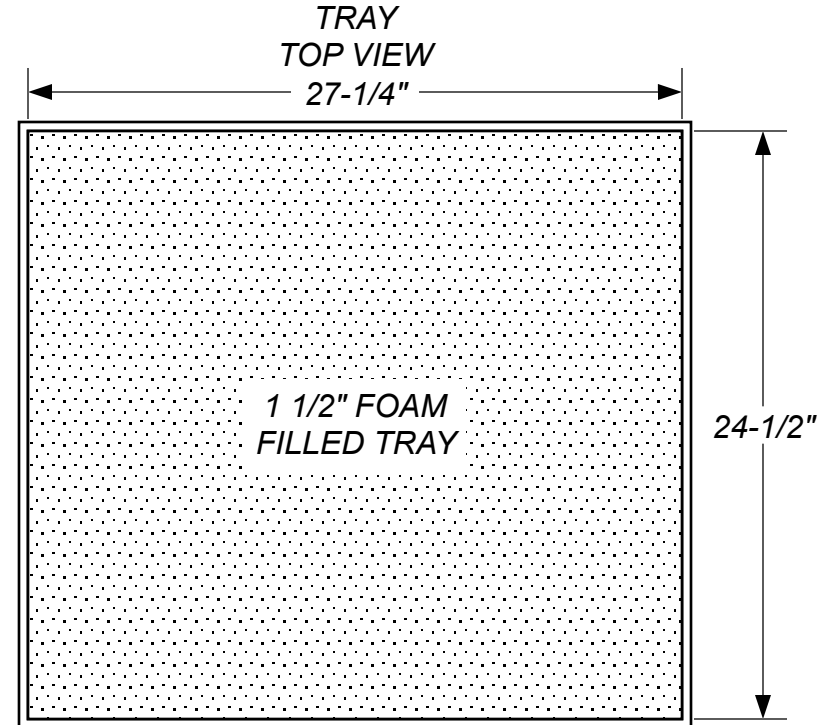


(REAR)



2720 Intertech Dr.
Youngstown, OH 44509
Toll Free 1.800.874.8326
Fax 330.270.2424

www.lmcases.com

YOUR SIGNATURE INDICATES APPROVAL OF ALL DIMENSIONS AS SHOWN. WE CANNOT PROCEED WITH CONSTRUCTION UNTIL APPROVAL IS RECEIVED. DUE TO THE CUSTOM NATURE OF OUR PRODUCTS, ALL SALES ARE FINAL.

TITLE: Presonus StudioLive 24.4.2 Mixing Console, 4" Casters (3/8" ATA)

DRAWN BY: PAUL KILLIAN

SIGNATURE:

DATE:

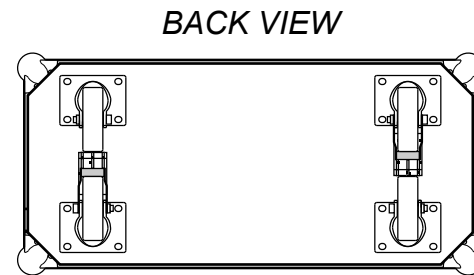
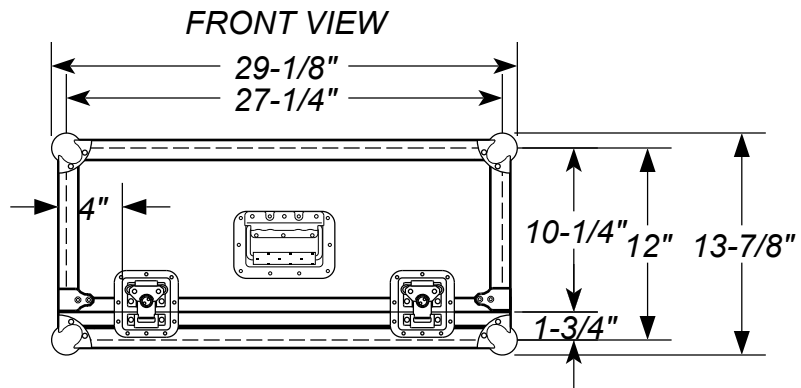
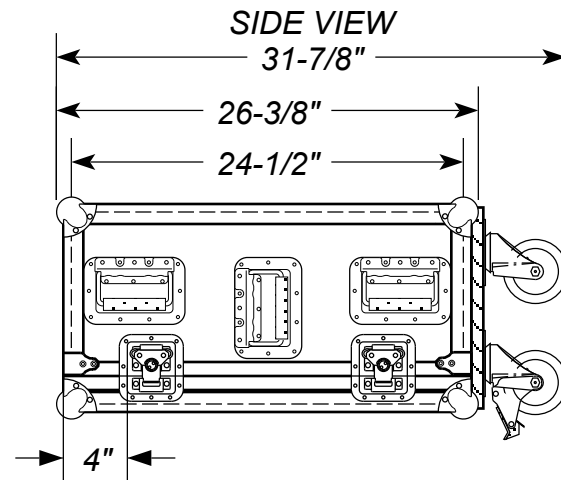
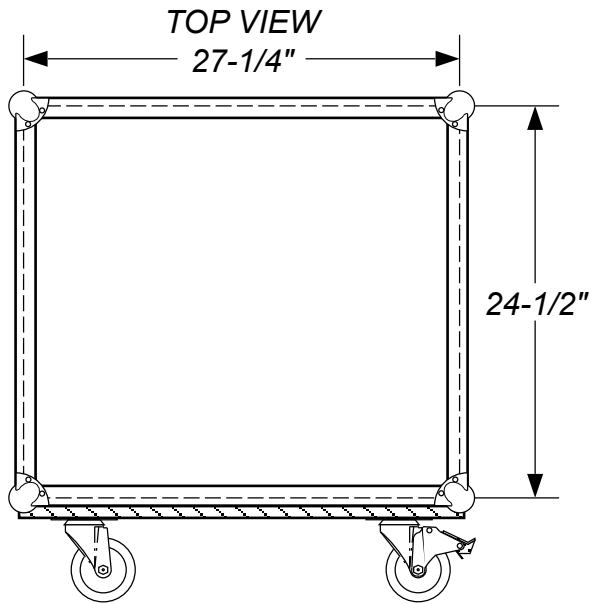
DATE: 10/21/10

SCALE: 1-1/2" = 1'

PAGE 1

QUOTE # 47593

CARD #



4" CASTERS
(2 LOCKING ON OPPOSING CORNERS)



2720 Intertech Dr.
Youngstown, OH 44509
Toll Free 1.800.874.8326
Fax 330.270.2424

www.lmcases.com

YOUR SIGNATURE INDICATES APPROVAL OF ALL DIMENSIONS AS SHOWN. WE CANNOT PROCEED WITH CONSTRUCTION UNTIL APPROVAL IS RECEIVED. DUE TO THE CUSTOM NATURE OF OUR PRODUCTS, ALL SALES ARE FINAL.

TITLE: Presonus StudioLive 24.4.2 Mixing Console, 4" Casters (3/8" ATA)

DRAWN BY: PAUL KILLIAN

SIGNATURE:

DATE:

SCALE: 1-1/2" = 1' PAGE 2

DATE: 10/21/10

QUOTE # 47593 CARD #