

2720 Intertech Dr.
Youngstown, OH 44509
Toll Free 1.800.874.8326
Fax 330.270.2424

www.lmcases.com

YOUR SIGNATURE INDICATES APPROVAL OF ALL DIMENSIONS AS SHOWN. WE CANNOT PROCEED WITH CONSTRUCTION UNTIL APPROVAL IS RECEIVED. DUE TO THE CUSTOM NATURE OF OUR PRODUCTS, ALL SALES ARE FINAL.

TITLE: Presonus 16.4.2 Mixer w/4" Cable Space Behind (1/4" ATA)

DRAWN BY: PAUL KILLIAN

SIGNATURE:

DATE:

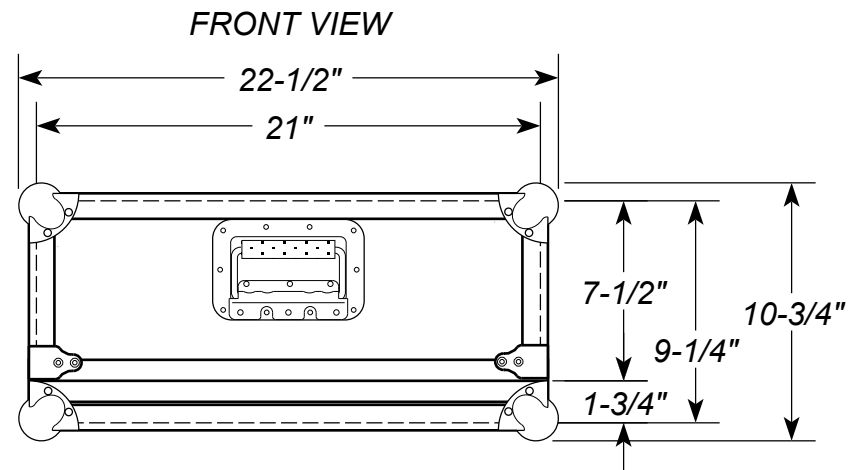
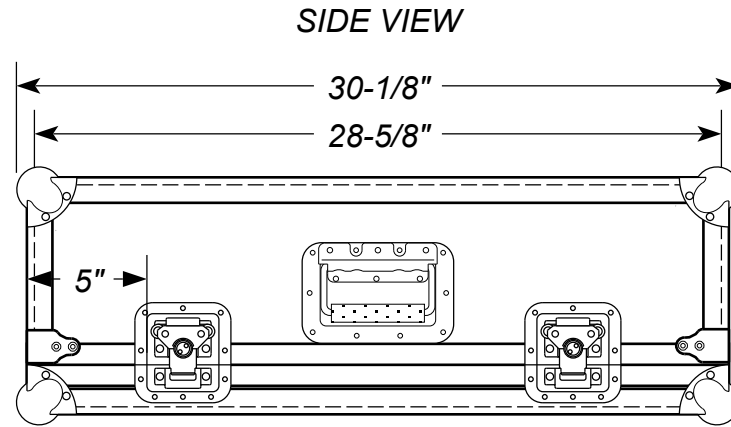
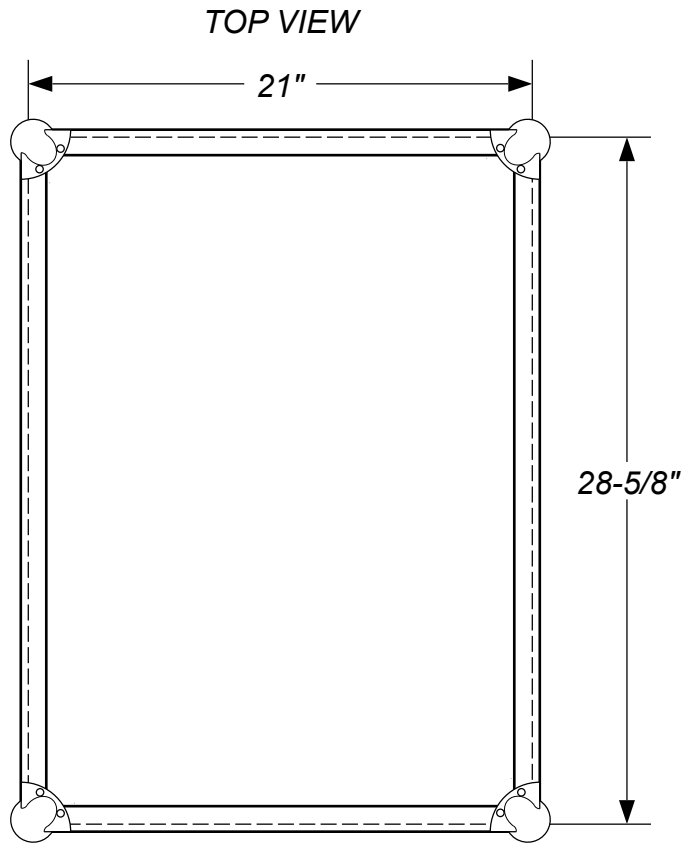
DATE: 7/30/09

SCALE: 1-1/2" = 1'

PAGE 1

QUOTE # 43101

CARD # 17834



2720 Intertech Dr.
 Youngstown, OH 44509
 Toll Free 1.800.874.8326
 Fax 330.270.2424

www.lmcases.com

YOUR SIGNATURE INDICATES APPROVAL OF ALL DIMENSIONS AS SHOWN. WE CANNOT PROCEED WITH CONSTRUCTION UNTIL APPROVAL IS RECEIVED. DUE TO THE CUSTOM NATURE OF OUR PRODUCTS, ALL SALES ARE FINAL.

TITLE: Presonus 16.4.2 Mixer w/4" Cable Space Behind (1/4" ATA)

DRAWN BY: PAUL KILLIAN

SIGNATURE:

DATE:

SCALE: 1-1/2" = 1'

PAGE 2

DATE: 7/30/09

QUOTE # 43101

CARD # 17834