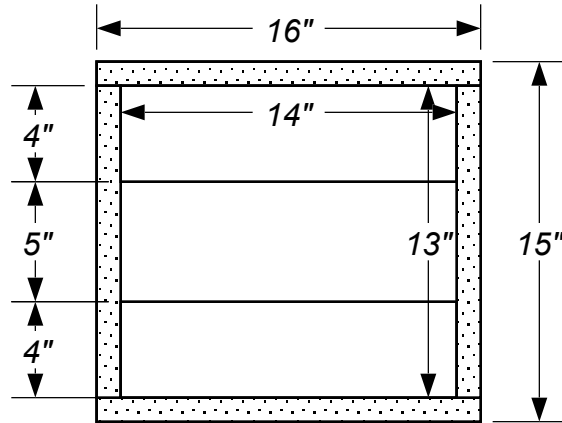
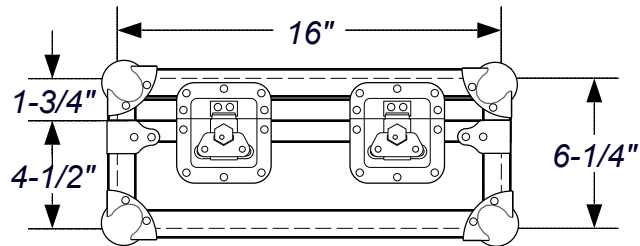


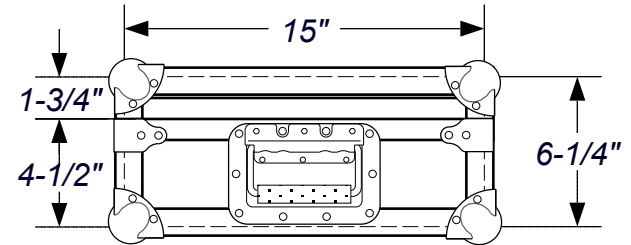
TOP VIEW TRAY



Front View



Side View



LM ENGINEERING

2720 INTERTECH DR.
YOUNGSTOWN, OH 44509
1-800-874-8326
FAX - 330-270-2424

YOUR SIGNATURE INDICATES APPROVAL OF ALL DIMENSIONS AS SHOWN. WE CANNOT PROCEED WITH CONSTRUCTION UNTIL APPROVAL IS RECEIVED. DUE TO THE CUSTOM NATURE OF OUR PRODUCTS, ALL SALES ARE FINAL.

SIGNATURE:

DATE:

TITLE: Mackie 1402 VLS

SCALE: 1-1/2" = 1'

PAGE 1

DRAWN BY: DAVE HENDRICK

DATE: 12/27/05

QUOTE #31205

CARD # 15013