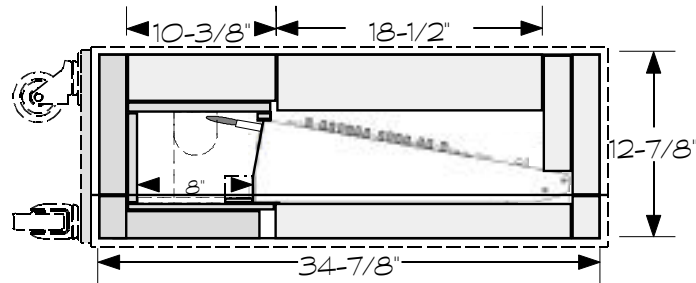
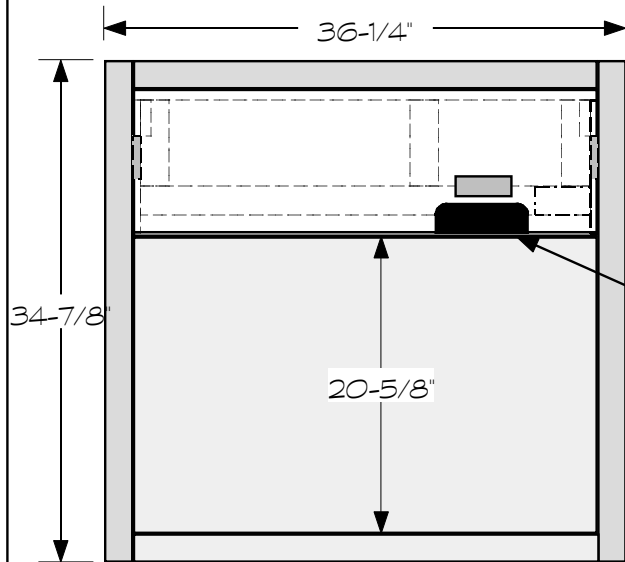


EXTRA "STEP"  
IN HEIGHT  
OF DOGHOUSE TO  
ACCOMODATE  
TOP ROW OF  
CONNECTIONS  
FROM BEING  
STRAINED & TO  
HOLD DOWN REAR  
OF BOARD IN  
TRANSIT

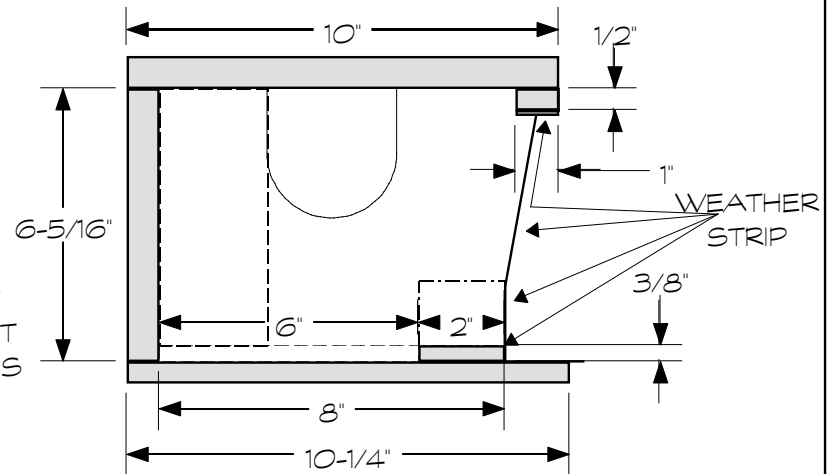


SEE THRU  
SIDE VIEW  
OF  
BLOCKING  
& DOGHOUSE  
LAYOUT



TOP VIEW OF  
TRAY  
& DOGHOUSE  
W/ WOOD  
BLOCKING  
ILLUSTRATED  
(SEE THRU TOP  
LID)  
  
OFFSET  
OPENING CUT OUT  
TOWARDS THE RIGHT  
FOR LITTLITE ACCESS  
  
ALSO  
HAFELE HANDLE

SIDE VIEW OF DOGHOUSE  
SEE PAGE 3 FOR SIDE PANEL DETAIL



REF # 14688

**LM ENGINEERING**

2720 INTERTECH DR.  
YOUNGSTOWN, OH 44509  
1-800-874-8326  
FAX - 330-270-2424

YOUR SIGNATURE INDICATES APPROVAL OF ALL DIMENSIONS AS SHOWN. WE CANNOT PROCEED WITH CONSTRUCTION UNTIL APPROVAL IS RECEIVED. DUE TO THE CUSTOM NATURE OF OUR PRODUCTS, ALL SALES ARE FINAL.

SIGNATURE:

DATE:

TITLE: ALLEN & HEATH GL 2400 424 MIXER W/ DOGHOUSE & CASTERS

SCALE: 1-1/2" = 1'

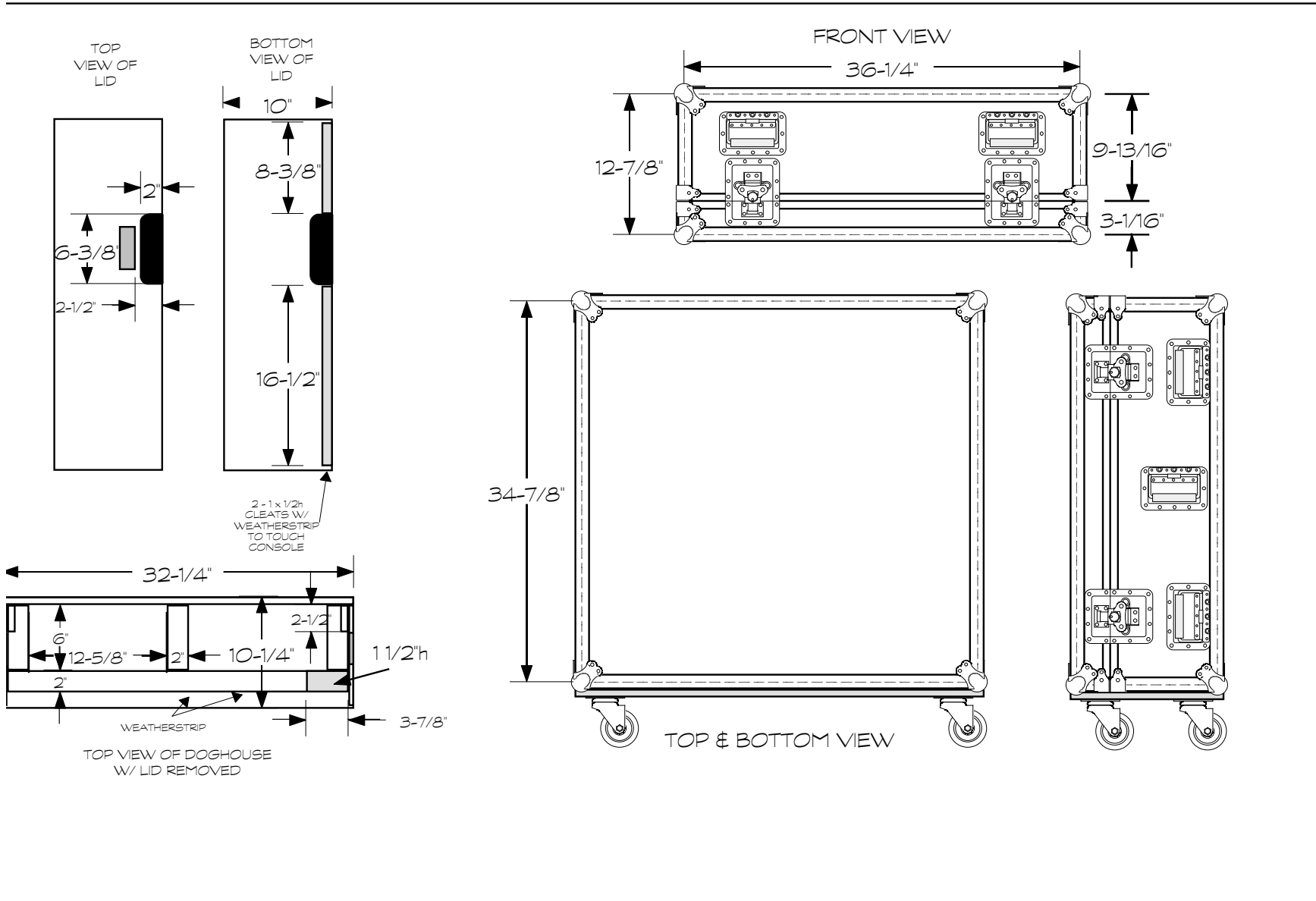
PAGE 1

DRAWN BY: DAVE HENDRICK

DATE: 05/23/06

QUOTE # 31454

CARD # 15415



LM ENGINEERING  
 2720 INTERTECH DR.  
 YOUNGSTOWN, OH 44509  
 1-800-874-8326  
 FAX - 330-270-2424

YOUR SIGNATURE INDICATES APPROVAL OF ALL DIMENSIONS AS SHOWN. WE CANNOT PROCEED WITH CONSTRUCTION UNTIL APPROVAL IS RECEIVED. DUE TO THE CUSTOM NATURE OF OUR PRODUCTS, ALL SALES ARE FINAL.

SIGNATURE: \_\_\_\_\_ DATE: \_\_\_\_\_

TITLE: ALLEN & HEATH GL 2400 424 MIXER W/ DOGHOUSE & CASTERS

SCALE: 1-1/2" = 1'

PAGE 2

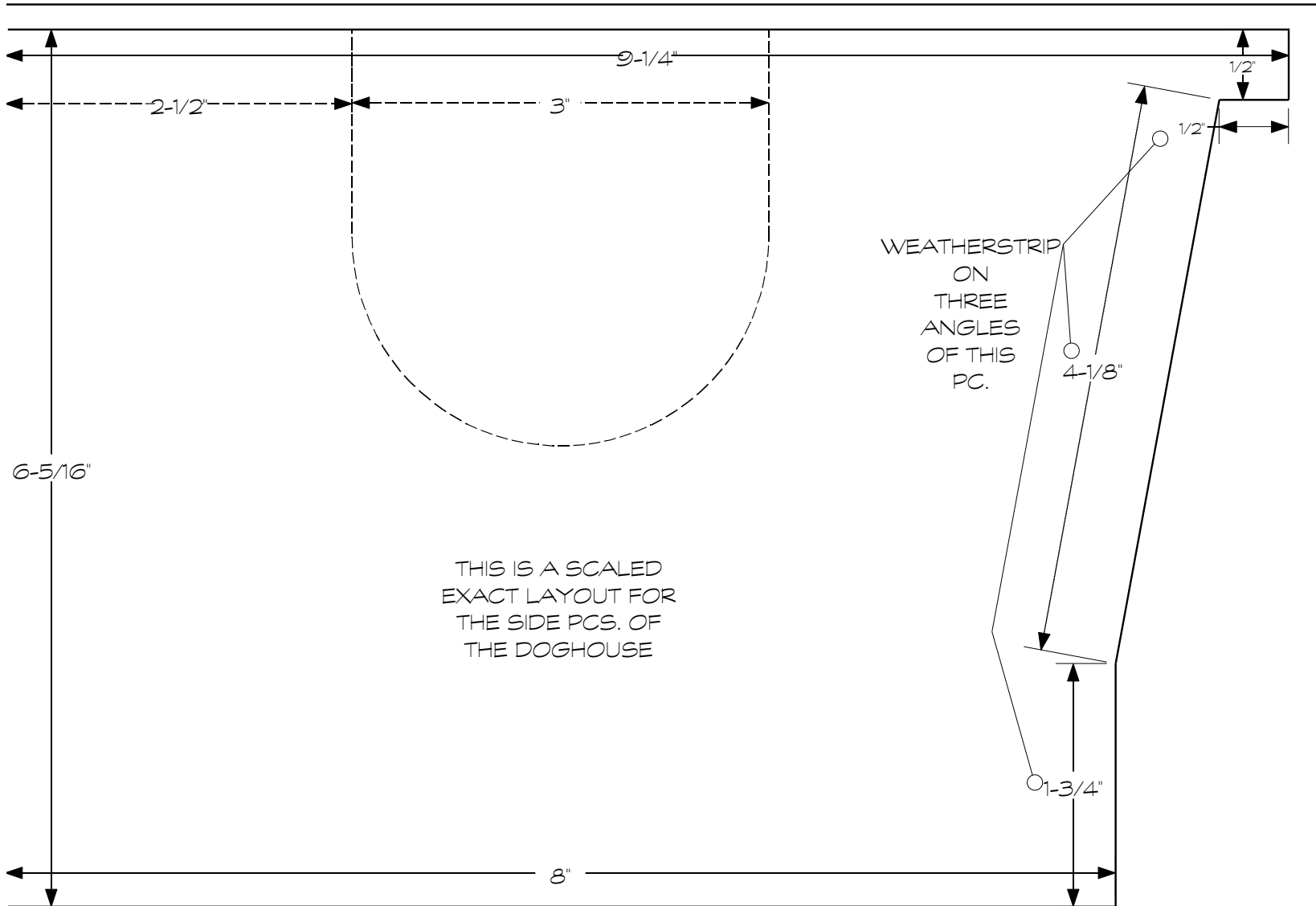
CARD # 15415

DRAWN BY: DAVE HENDRICK

DATE: 05/23/06

QUOTE # 31454

LM EN  
 2720  
 YOUNGS  
 1-8C  
 FAX -



**ENGINEERING**  
 INTERTECH DR.  
 TOWN, OH 44509  
 330-874-8326  
 330-270-2424

YOUR SIGNATURE INDICATES APPROVAL OF ALL DIMENSIONS AS SHOWN. WE CANNOT PROCEED WITH CONSTRUCTION UNTIL APPROVAL IS RECEIVED. DUE TO THE CUSTOM NATURE OF OUR PRODUCTS, ALL SALES ARE FINAL.

SIGNATURE: \_\_\_\_\_ DATE: \_\_\_\_\_

TITLE: ALLEN & HEATH GL 2400 424 MIXER W/ DOGHOUSE & CASTERS

SCALE: 1-1/2" = 1"

PAGE 3

DRAWN BY: DAVE HENDRICK

DATE: 05/23/06

QUOTE # 31454

CARD # 15415